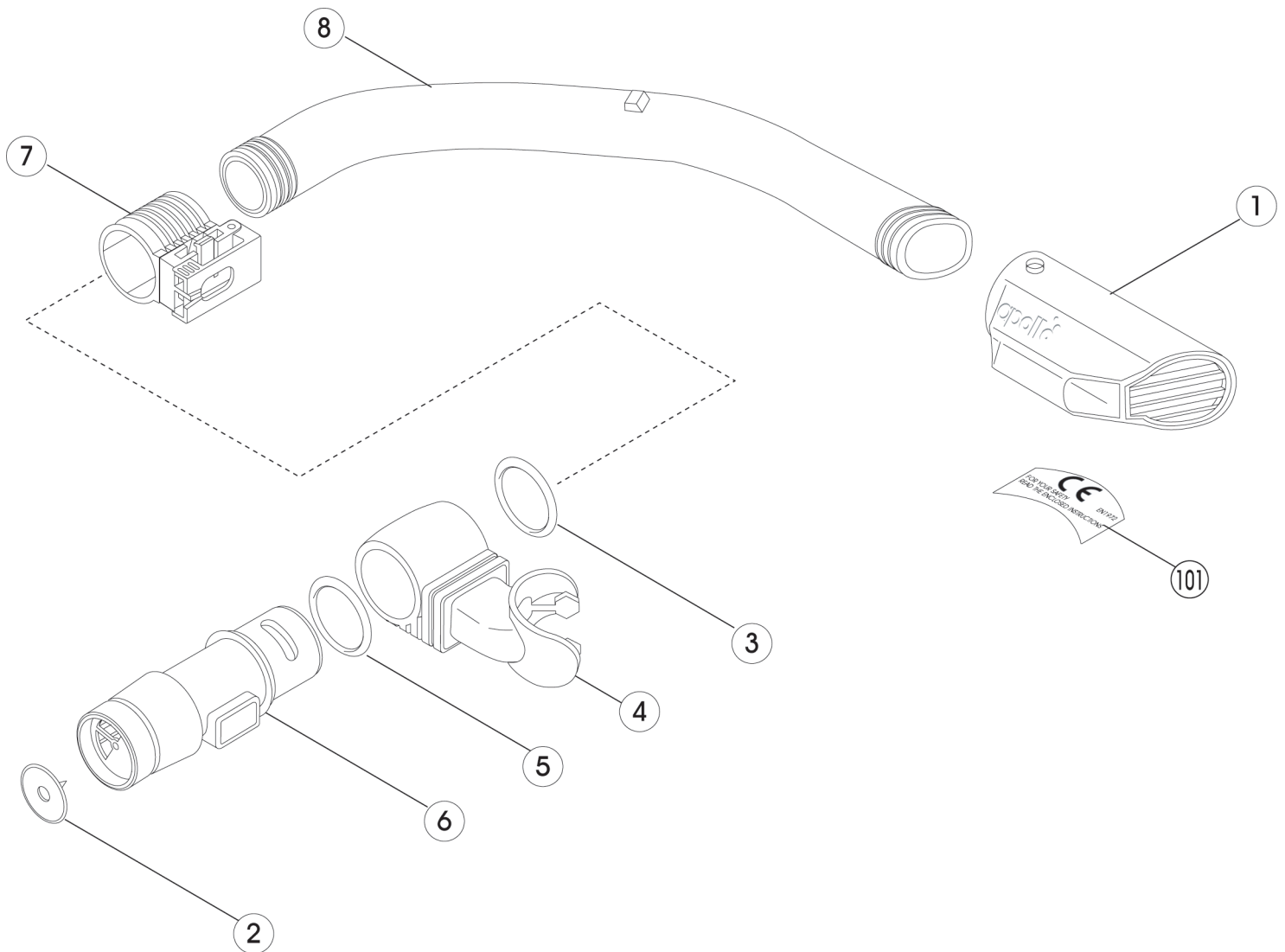


# prestige dry snorkel



No.	Code	Description	Note
	1601123500	●DRY SNORKEL PRESTIGE (F.YL)	OUT OF PRODUCTION
	1601135600	●DRY SNORKEL PRESTIGE (M.BL)	OUT OF PRODUCTION
	1601170000	●DRY SNORKEL PRESTIGE (WT)	OUT OF PRODUCTION
	1601179000	●DRY SNORKEL PRESTIGE (SV)	OUT OF PRODUCTION
	1601180000	●DRY SNORKEL PRESTIGE (BK)	OUT OF PRODUCTION
1	2602018040	●DRY CAP ASSY/DRY SNORKEL	OUT OF PRODUCTION
2	3603000003	EXHAUST VALVE CLEAR/QV SNORKEL	
3	3993390520	O-RING S-20/HS50 SILICONE	
4	3603180003	●MOUTHPIECE FOR DRY SNORKEL BK/SILICONE	OUT OF PRODUCTION
5	3993390522	O-RING S-22.4/HS50	
6	3602080021	BODY/DRY SNORKEL (BK)	
7	2682080010	SNORKEL FIT UNIT : PRESTIGE BK	
8	3602023530	TUBE: DRY SNORKEL F.YL NOT SALE	OUT OF PRODUCTION
	3602035630	TUBE: DRY SNORKEL BLMT NOT SALE	OUT OF PRODUCTION
	3602070030	TUBE: DRY SNORKEL WT NOT SALE	OUT OF PRODUCTION
	3602079030	TUBE: DRY SNORKEL SV NOT SALE	OUT OF PRODUCTION
	3602080030	TUBE: DRY SNORKEL BK NOT SALE	OUT OF PRODUCTION
101	3604622500	STICKER	