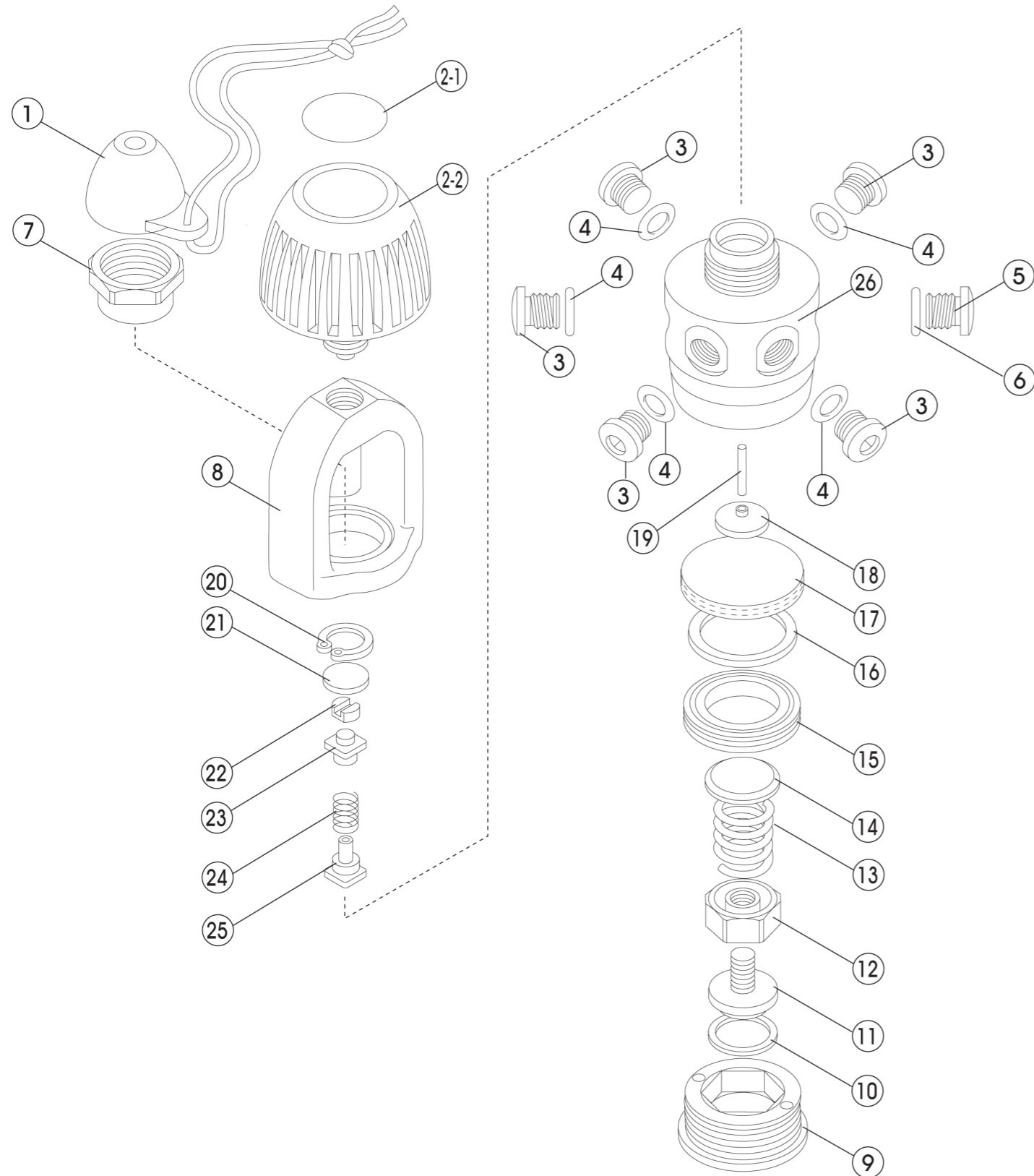


1st stage a-101H



No.	Code	Description	Note
1	2184380001	DUST CAP FOR YOKE WITH STRING	
1-1	3104080280	STRING FOR DUST CAP	
1-2	3103080010	DUST CAP FOR YOKE	
2	2102080158	YOKE SCREW WITH DECAL	
2-1	3104680004	YOKE DECAL (BK) Not Sale	
2-2	3102080158	●YOKE SCREW change to 2102080158	OUT OF PRODUCTION
3	3100101101	PLUG (A) : 3/8 FOR L.P.	
	3100101904	PORT PLUG, 1/2 FOR REGULATOR	
4	3993592011	O-RING ARP-011/HS75	
	3993592013	O-RING ARP-013/HS75	
5	3100101102	PLUG (C) : 7/16 FOR H.P.	
6	3993592012	O-RING ARP-012/HS75	
7	3100203045	YOKE RETAINER : A-101,105	
8	3101001032	YOKE FOR PRESTIGE (L)	
9	3100201044	BODY CAP 102	
10	3102470303	●TEFLON WASHER FOR REGULATOR	OUT OF PRODUCTION
11	3100201043	ADJUSTING SCREW FOR REGULATOR	
12	3100203047	GUIDE NUT FOR REGULATOR	
13	3101200062	ADJUST SPRING FOR L.P.FOR REGULATOR	
14	3100101111	SPRING PAD : FOR A-101,2,5,7,8,10,320	
15	3100203046	DIAPHRAGM RETAINER FOR REGULATOR	
16	3101100020	●DIAPHRAGM WASHER	OUT OF PRODUCTION
17	3103980105	HIGH PRESSURE DIAPHRAGM	
18	3100101105	PUSH ROD PAD : FOR A-101,2,5,7,8,10	
19	3990100072	PUSH ROD PIN : A-101,2,5,7,8,10 (SUS304)	
20	3990500101	RETAINING RING	
21	3990800411	FILTER 150 MICRON :SUS316 D/12.6 T/1.66	
22	3100103073	●CHAMBER SPACER	OUT OF PRODUCTION
23	2100100050	BALANCE CHAMBER WITH O-RING: A-101,2,5,7,8,10,20	
23-1	3993592006	O-RING ARP-006/HS75	
23-2	3102070000	BACKUP RING: A-101,2,5,7,8,10,320	
23-3	3100101103	BALANCE CHAMBER : FOR A-101,2,5,7,8,10	
24	3101200071	HIGH PRESSURE SPRING : A-101,2,5,7,8,10,320	
25	3100103210	PTMEG 2000 HIGH PRESSURE SEAT	
26	3101001008	●BODY : A-101H	OUT OF PRODUCTION