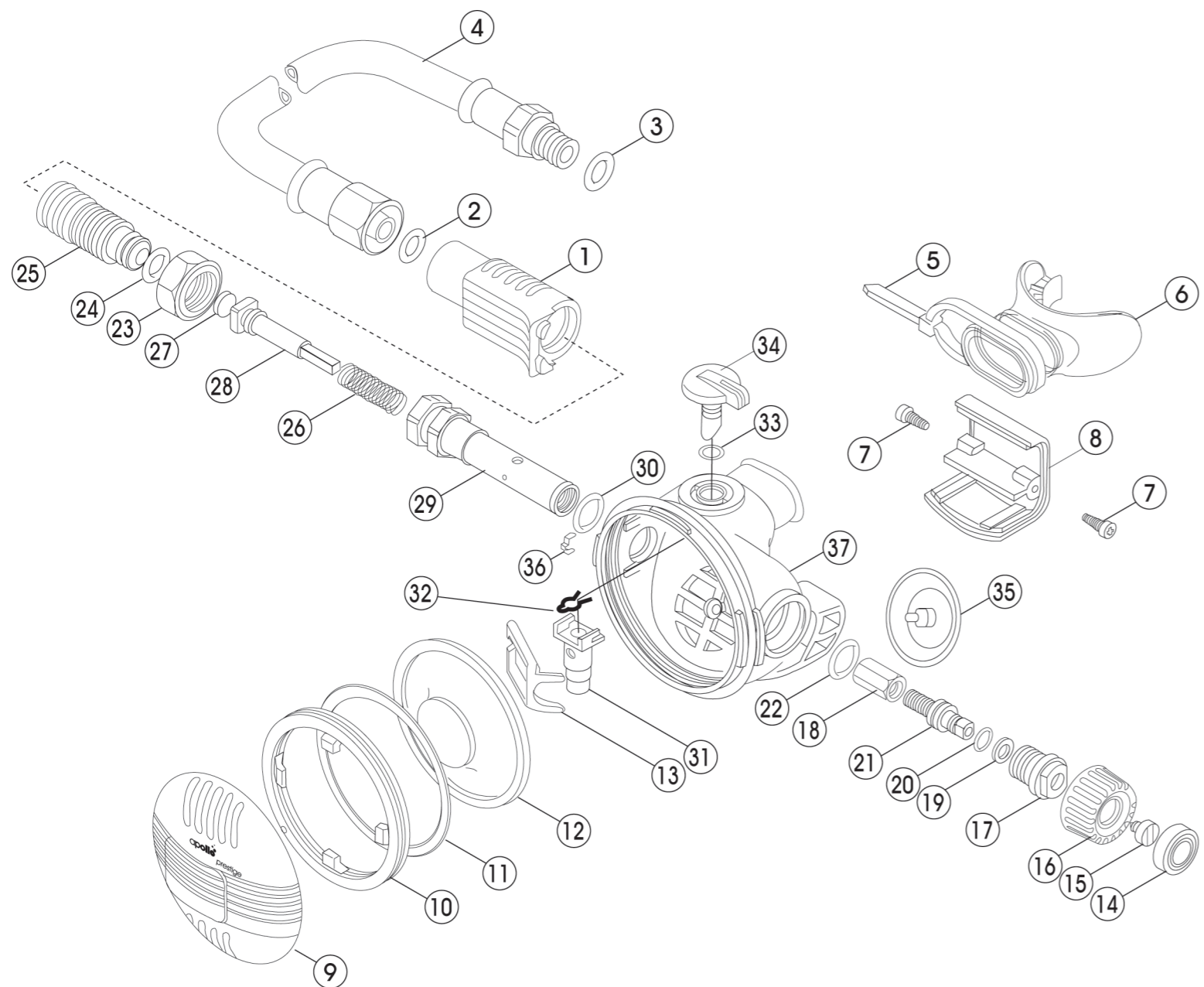


# 2nd stage prestige standard



No.	Code	Description	Note
1	3102080113	HOSE PROTECTOR	
2	3993592010	O-RING ARP-010/HS75	
3	3993592011	O-RING ARP-011/HS75	
4	3103983070	●L.P. HOSE FOR REGULATOR 70CM	OUT OF PRODUCTION
	3113983090	L.P. HOSE FOR OCT (BK) 90CM	
5	3992970100	NYLON CLAMP (WT)	
6	3103100001	MOUTHPIECE PRESTIGE (CL)	
7	3990100308	SCREW SUS M3X8	
8	3102080107	EXHAUST COVER	
9	2102021201	●TOP COVER ASSY, PRESTIGE (F.PK)	OUT OF PRODUCTION
	2102023501	●TOP COVER ASSY, PRESTIGE (F.YL)	OUT OF PRODUCTION
	2102056001	●TOP COVER ASSY, PRESTIGE (COBL)	OUT OF PRODUCTION
	2102070001	●TOP COVER ASSY, PRESTIGE (WT)	OUT OF PRODUCTION
	2102022501	●TOP COVER ASSY, PRESTIGE (F.OG)	OUT OF PRODUCTION
	2102024501	●TOP COVER ASSY, PRESTIGE (F.GN)	OUT OF PRODUCTION
	2102065001	●TOP COVER ASSY, PRESTIGE (P.L)	OUT OF PRODUCTION
	2102080001	●TOP COVER ASSY, PRESTIGE (BK)	OUT OF PRODUCTION
9-1	3101200054	PURGE BUTTON SPRING	
9-2	3102080104	PURGE BUTTON FOR PRESTIGE	
10	3102080112	SNAP RING ABS BK	
11	3102470003	COVER RING	
12	3103070011	●DIAPHRAGM PRESTIGE	OUT OF PRODUCTION
13	3101100083	DEMAND LEVER 2ND	
14	3102021209	KNOB CAP (F.YL)	
	3102023509	KNOB CAP (F.YL)	
	3102056109	KNOB CAP (COBL)	
	3102070109	KNOB CAP (WT)	
	3102024509	KNOB CAP (F.OG)	
	3102065009	KNOB CAP (PL)	
	3102080109	KNOB CAP (BK)	
15	3990100155	TRUSS SCREW (M3x5) BS-Ni	
16	3102080108	ADJUSTING KNOB	
17	3100103078	●BONNET FOR REGULATOR	OUT OF PRODUCTION
18	3100103076	○ADJUST NUT FOR REGULATOR	
19	3102400002	TEFLON WASHER FOR SS 2ND STAGE	
20	3993392505	O-RING S-8/HS75	
21	3100103077	●ADJUST SHAFT	OUT OF PRODUCTION
22	3993592015	O-RING ARP-015/HS75	
23	3100103025	●LOCK NUT	OUT OF PRODUCTION
24	3993592011	O-RING ARP-011/HS75	
25	3100103089	VALVE CONE FOR PRESTIGE STANDARD	
26	3101200011	CARRIER SPRING	
27	3103080013	2ND STAGE VALVE SEAT	
28	3100103024	SEAT CARRIER FOR REGULATOR	
29	3100103100	●DEMAND VALVE HOUSING	OUT OF PRODUCTION
30	3993592015	O-RING ARP-015/HS75	
31	3102080111	AIR FLOW TUBE	
32	3990900002	CLIP	
33	3993390504	O-RING S-4/HS50	
34	3102080110	AIR FLOW ADJUSTER	
35	3103070014	EXHAUST VALVE	
36	3101180000	TOP COVER LOCK PRESTIGE	
37	3102080101	●BOTTOM BOX, PRESTIGE	OUT OF PRODUCTION