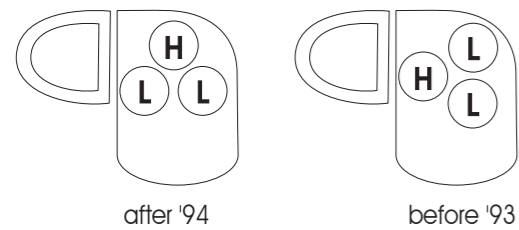
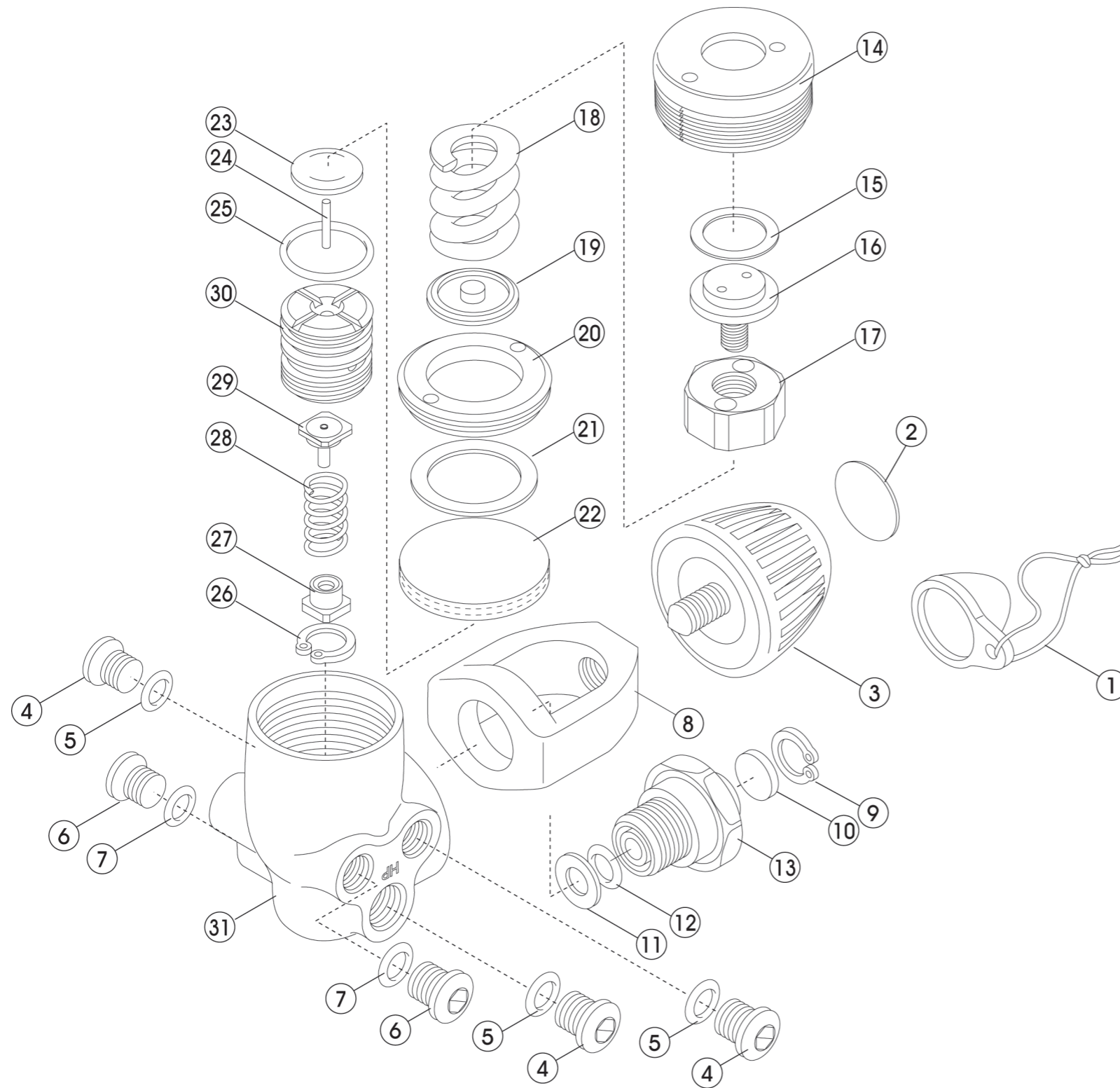


# 1st stage a-102 Before '93



\*There are 3 types of port configurations.

- 1) 1/2 inch x 4
- 2) 1/2 inch x 2, 3/8 inch x 2
- 3) 3/8 inch x 4

No.	Code	Description	Note
1	2184380001	DUST CAP FOR YOKE WITH STRING	
1-1	3104080280	STRING FOR DUST CAP	
1-2	3103080010	DUST CAP FOR YOKE	
2	3104680004	YOKE DECAL (BK) Not Sale	
3	3102080158	●YOKE SCREW change to 2102080158	OUT OF PRODUCTION
4	3100101101	PLUG (A) : 3/8 FOR L.P.	
	3100101904	PORT PLUG, 1/2 FOR REGULATOR	
5	3993592011	O-RING ARP-011/HS75	
	3993592013	O-RING ARP-013/HS75	
6	3100101102	PLUG (C) : 7/16 FOR H.P.	
7	3993592012	O-RING ARP-012/HS75	
8	3101001032	YOKE FOR PRESTIGE (L)	
9	3990500101	RETAINING RING	
10	3990800411	FILTER 150 MICRON :SUS316 D/12.6 T/1.66	
11	3990900100	●WASHER A-102	OUT OF PRODUCTION
12	3993592011	O-RING ARP-011/HS75	
13	3100103066	●YOKE RETAINER	OUT OF PRODUCTION
14	3100201044	BODY CAP 102	
15	3102470303	●TEFLON WASHER FOR REGULATOR	OUT OF PRODUCTION
16	3100201043	ADJUSTING SCREW FOR REGULATOR	
17	3100203047	GUIDE NUT FOR REGULATOR	
18	3101200062	ADJUST SPRING FOR L.P.:FOR REGULATOR	
19	3100101111	SPRING PAD : FOR A-101,2,5,7,8,10,320	
20	3100203046	DIAPHRAGM RETAINER FOR REGULATOR	
21	3101100020	●DIAPHRAGM WASHER	OUT OF PRODUCTION
22	3103980105	HIGH PRESSURE DIAPHRAGM	
23	3100101105	PUSH ROD PAD : FOR A-101,2,5,7,8,10	
24	3990100072	PUSH ROD PIN : A-101,2,5,7,8,10 (SUS304 )	
25	3993592017	O-RING ARP-017/HS75	
26	3990500101	RETAINING RING	
27	2100100050	BALANCE CHAMBER WITH O-RING: A-101,2,5,7,8,10,20	
27-1	3993592006	O-RING ARP-006/HS75	
27-2	3102070000	BACKUP RING: A-101,2,5,7,8,10,320	
27-3	3100101103	BALANCE CHAMBER : FOR A-101,2,5,7,8,10	
28	3101200071	HIGH PRESSURE SPRING : A-101,2,5,7,8,10,320	
29	3100103210	PTIMEG 2000 HIGH PRESSURE SEAT	
30	3100101115	H.P. MODULE WITH GUIDE SPEC FOR REGULATOR	
31	3101001022	●BODY : A-1022	OUT OF PRODUCTION
	3101001027	●BODY A-102	OUT OF PRODUCTION
	3101001031	●BODY : A-1023	OUT OF PRODUCTION