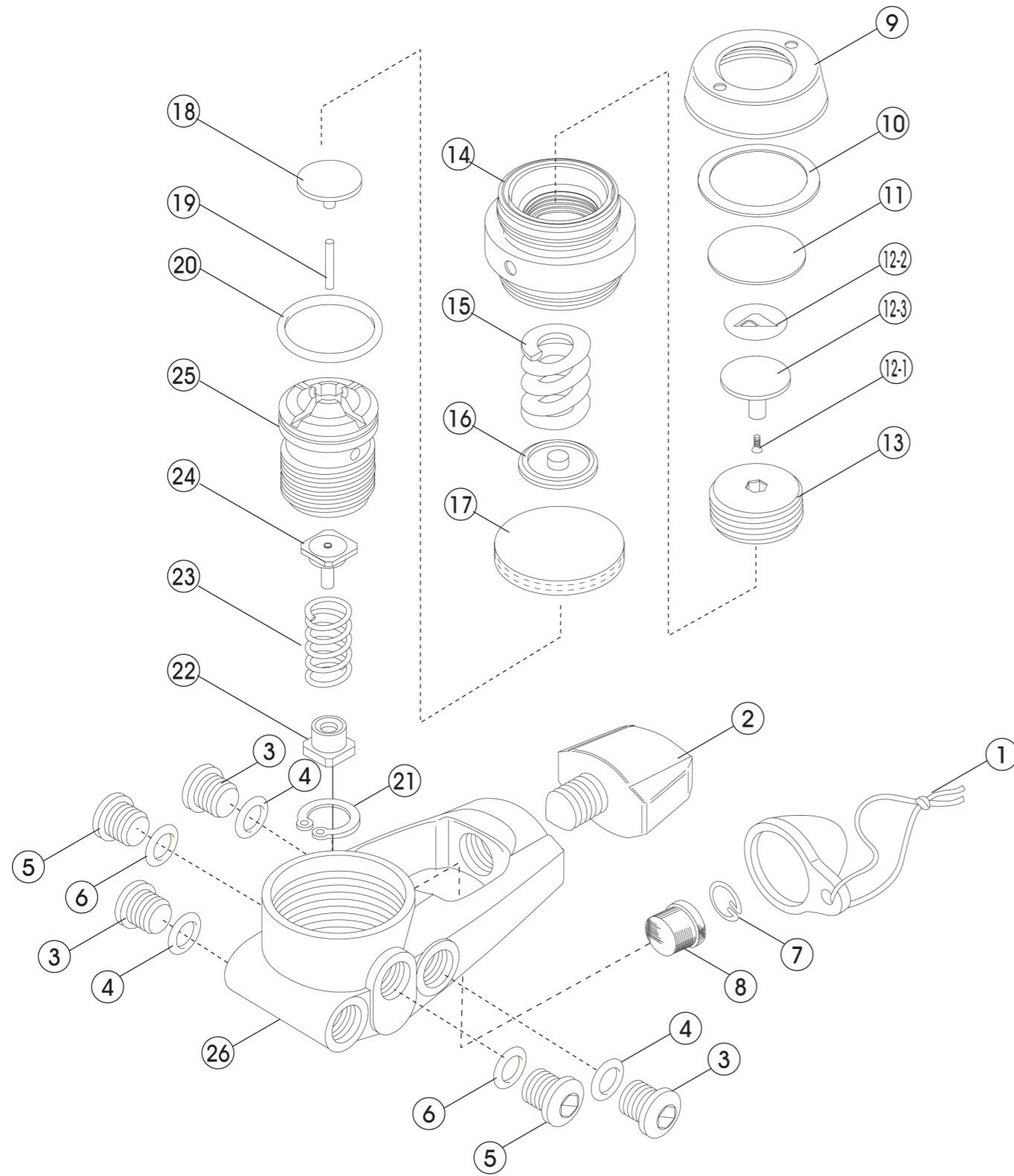


# 1st stage a-220 / a-220 Nr<sub>x</sub>



No.	Code	Description	Note
1	2184380001	DUST CAP FOR YOKE WITH STRING	
1-1	3104080280	STRING FOR DUST CAP	
1-2	3103080010	DUST CAP FOR YOKE	
2	2122080000	●YOKE SCREW	OUT OF PRODUCTION
3	3100101101	PLUG (A) : 3/8 FOR L.P.	
4	3993592011	O-RING ARP-011/HS75	
5	3100101102	PLUG (C) : 7/16 FOR H.P.	
6	3993592012	O-RING ARP-012/HS75	
	3993898012	O-RING ARP-012/HS90 VITON ID/9.25	
7	3101200064	FILTER RETAINER FOR A-102,108,110,120	
8	3990800412	FILTER 150 MICRON BUCKET TYPE	
9	3100101107	OUTER DIAPHRAGM HOLDER : FOR A-108	
10	3102480001	DIAPHRAGM WASHER PET	
11	3102400021	OUTER DIAPHRAGM	
12-1	3990100079	SCREW M2X8	
12-2	3104681000	BIO MARKED STICKER FOR PISTON	
12-3	3100101108	PISTON : FOR A-108/110/320	
13	3100101110	ADJUST SCREW : FOR A-108/110/320	
14	3100101109	LOCK NUT : FOR A-108	
15	3101200062	ADJUST SPRING FOR L.P.FOR REGULATOR	
16	3100101111	SPRING PAD : FOR A-101,2,5,7,8,10,320	
17	3103980105	HIGH PRESSURE DIAPHRAGM	
18	3100101105	PUSH ROD PAD : FOR A-101,2,5,7,8,10	
19	3990100072	PUSH ROD PIN : A-101,2,5,7,8,10 (SUS304 )	
20	3993594017	O-RING ARP-017/HS90	
	3993898017	O-RING ARP-017/HS90 VITON ID/17.17	
21	3990500101	RETAINING RING	
22	2100100050	BALANCE CHAMBER WITH O-RING: A-101,2,5,7,8,10,20	
22-1	3993592006	O-RING ARP-006/HS75	
	3993898006	O-RING ARP-006/HS90 VITON ID/2.90	
22-2	3102070000	BACKUP RING: A-101,2,5,7,8,10,320	
22-3	3100101103	BALANCE CHAMBER : FOR A-101,2,5,7,8,10	
23	3101200071	HIGH PRESSURE SPRING : A-101,2,5,7,8,10,320	
24	3100103210	PTEG 2000 HIGH PRESSURE SEAT	
25	3100101115	H.P. MODULE WITH GUIDE SPEC FOR REGULATOR	
26	3121300018	●A-220 1ST STAGE BODY-CHROME	OUT OF PRODUCTION