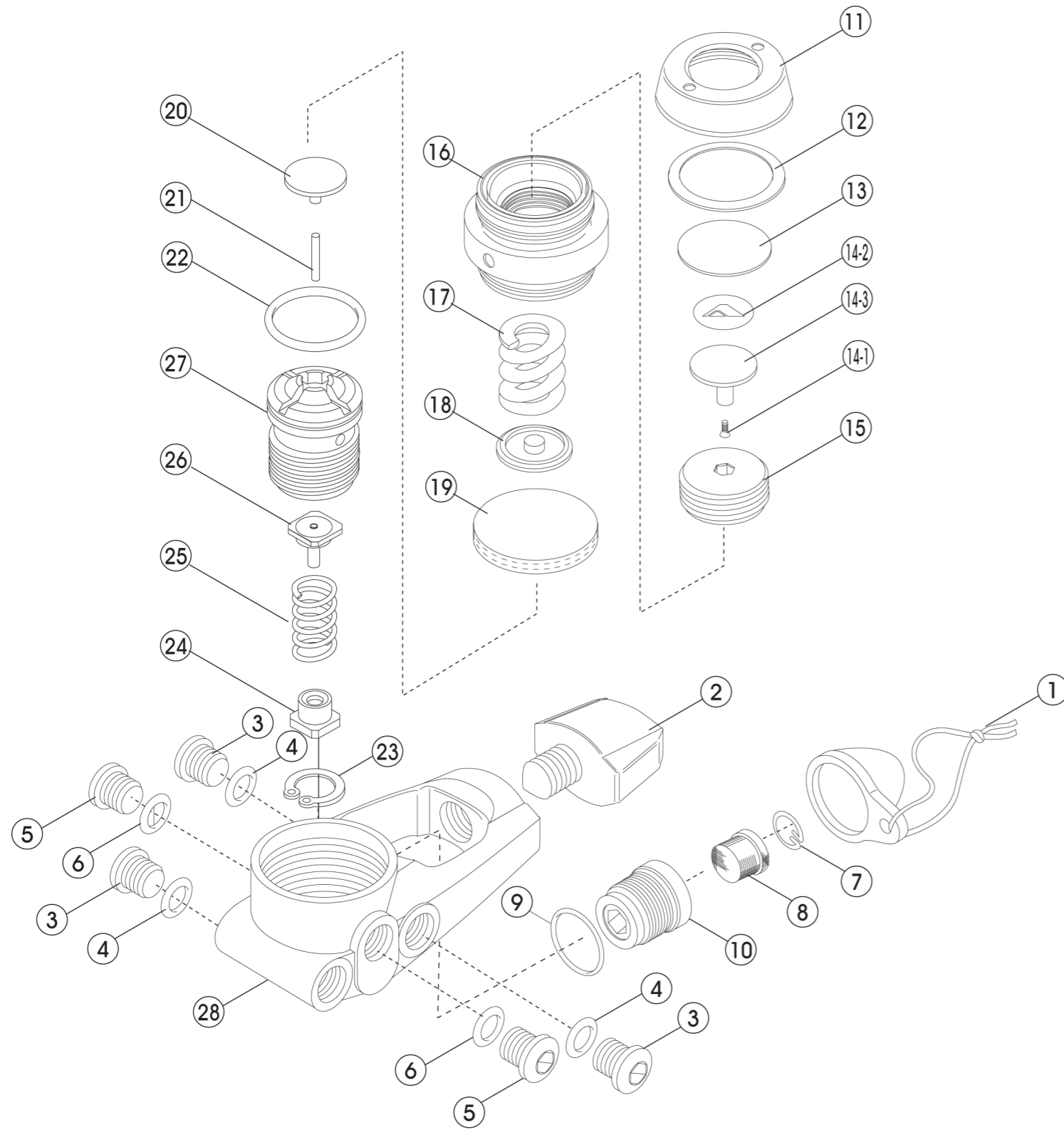


1st stage a-120 / a-120 Nr_x



No.	Code	Description	Note
1	2184380001	DUST CAP FOR YOKE WITH STRING	
1-1	3104080280	STRING FOR DUST CAP	
1-2	3103080010	DUST CAP FOR YOKE	
2	2122080000	●YOKE SCREW	OUT OF PRODUCTION
3	3100101101	PLUG (A) : 3/8 FOR L.P.	
4	3993592011	O-RING ARP-011/HS75	
5	3100101102	PLUG (C) : 7/16 FOR H.P.	
6	3993592012	O-RING ARP-012/HS75	
	3993898012	O-RING ARP-012/HS90 VITON ID/9.25	
7	3101200064	FILTER RETAINER FOR A-102,108,110,120	
8	3990800412	FILTER 150 MICRON BUCKET TYPE	
9	3993592015	O-RING ARP-015/HS75	
	3993898015	O-RING ARP-015/HS90 VITON ID/14.00	
10	3120100006	VALVE PORT FOR A-110,120	
11	3120270001	OUTER DIAPHRAGM HOLDER A-110,120 W.SV	
	3120100004	●OUTER DIAPHRAGM HOLDER A-110,120 D.GY	OUT OF PRODUCTION
12	3102480001	DIAPHRAGM WASHER PET	
13	3102400021	OUTER DIAPHRAGM	
14-1	3990100079	SCREW M2X8	
14-2	3104681000	BIO MARKED STICKER FOR PISTON	
14-3	3100101108	PISTON : FOR A-108/110/320	
15	3100101110	ADJUST SCREW : FOR A-108/110/320	
16	3120280001	LOCK NUT FOR A-110,120 (D.GY)	
	3120100005	LOCK NUT FOR A-110,120 (W.SV)	
17	3101200062	ADJUST SPRING FOR L.P:FOR REGULATOR	
18	3100101111	SPRING PAD : FOR A-101,2,5,7,8,10,320	
19	3103980105	HIGH PRESSURE DIAPHRAGM	
20	3100101105	PUSH ROD PAD : FOR A-101,2,5,7,8,10	
21	3990100072	PUSH ROD PIN : A-101,2,5,7,8,10 (SUS304)	
22	3993594017	O-RING ARP-017/HS90	
	3993898017	O-RING ARP-017/HS90 VITON ID/17.17	
23	3990500101	RETAINING RING	
24	2100100050	BALANCE CHAMBER WITH O-RING: A-101,2,5,7,8,10,20	
24-1	3993592006	O-RING ARP-006/HS75	
	3993898006	O-RING ARP-006/HS90 VITON ID/2.90	
24-2	3102070000	BACKUP RING: A-101,2,5,7,8,10,320	
24-3	3100101103	BALANCE CHAMBER : FOR A-101,2,5,7,8,10	
25	3101200071	HIGH PRESSURE SPRING : A-101,2,5,7,8,10,320	
26	3100103210	PTMEG 2000 HIGH PRESSURE SEAT	
27	3100101115	H.P. MODULE WITH GUIDE SPEC FOR REGULATOR	
28	3121300012	●BODY A-120 W.SV	OUT OF PRODUCTION
	3121300013	●BODY A-120 D.GY	OUT OF PRODUCTION