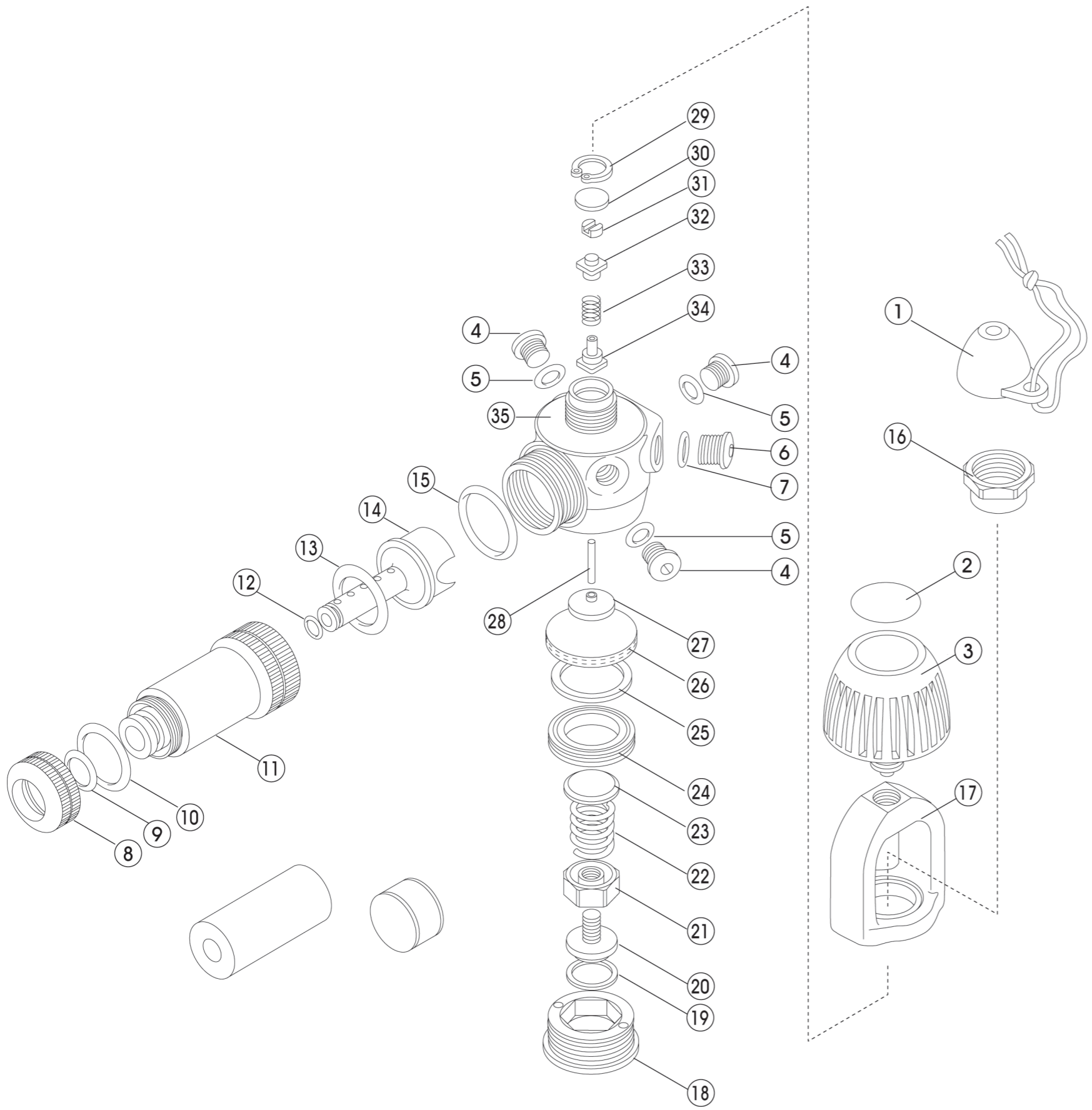


1st stage a-105



No.	Code	Description	Note
1	2184380001	DUST CAP FOR YOKE WITH STRING	
1-1	3104080280	STRING FOR DUST CAP	
1-2	3103080010	DUST CAP FOR YOKE	
2	3104680004	YOKE DECAL (BK) Not Sale	
3	3102080158	●YOKE SCREW change to 2102080158	OUT OF PRODUCTION
4	3100101101	PLUG (A) : 3/8 FOR L.P.	
	3100101904	PORT PLUG, 1/2 FOR REGULATOR	
5	3993592011	O-RING ARP-011/HS75	
	3993592013	O-RING ARP-013/HS75	
6	3100101102	PLUG (C) : 7/16 FOR H.P.	
7	3993592012	O-RING ARP-012/HS75	
8	3100201047	●HOUSING CAP	OUT OF PRODUCTION
9	3993092013	O-RING P-14/HS75	
	3993592016	O-RING ARP-016/HS75	
10	3993592022	O-RING ARP-022/HS75	
11	3100201046	●MOISTURIZER HOUSING 3/8"	OUT OF PRODUCTION
	3100201049	●MOISTURIZER HOUSING 1/2"	OUT OF PRODUCTION
12	3993092004	O-RING P-7/HS75	
13	3103080033	GASKET A-1056 (A-105)	OUT OF PRODUCTION
	3993592022	O-RING ARP-022/HS75	
14	3102080055	●MOISTURIZER TUBE	OUT OF PRODUCTION
15	3993592025	O-RING ARP-025/HS75	
16	3100203045	YOKE RETAINER : A-101,105	
17	3101001032	YOKE FOR PRESTIGE (L)	
18	3100201044	BODY CAP 102	
19	3102470303	●TEFLON WASHER FOR REGULATOR	OUT OF PRODUCTION
20	3100201043	ADJUSTING SCREW FOR REGULATOR	
21	3100203047	GUIDE NUT FOR REGULATOR	
22	3101200062	ADJUST SPRING FOR L.P:FOR REGULATOR	
23	3100101111	SPRING PAD : FOR A-101,2,5,7,8,10,320	
24	3100203046	DIAPHRAGM RETAINER FOR REGULATOR	
25	3101100020	●DIAPHRAGM WASHER	OUT OF PRODUCTION
26	3103980105	HIGH PRESSURE DIAPHRAGM	
27	3100101105	PUSH ROD PAD : FOR A-101,2,5,7,8,10	
28	3990100072	PUSH ROD PIN : A-101,2,5,7,8,10 (SUS304)	
29	3990500101	RETAINING RING	
30	3990800411	FILTER 150 MICRON :SUS316 D/12.6 T/1.66	
31	3100103073	●CHAMBER SPACER	OUT OF PRODUCTION
32	2100100050	BALANCE CHAMBER WITH O-RING: A-101,2,5,7,8,10,20	
32-1	3993592006	O-RING ARP-006/HS75	
32-2	3102070000	BACKUP RING: A-101,2,5,7,8,10,320	
32-3	3100101103	BALANCE CHAMBER : FOR A-101,2,5,7,8,10	
33	3101200071	HIGH PRESSURE SPRING : A-101,2,5,7,8,10,320	
34	3100103210	PTMEG 2000 HIGH PRESSURE SEAT	
35	3101001033	●BODY : A-1056	OUT OF PRODUCTION
#	1120280002	●ACTIVATED CHARCOAL FILTER A-105 change to 1122000001	OUT OF PRODUCTION
#	1120200002	●MOISTURIZING PAD A-105 42MM	OUT OF PRODUCTION