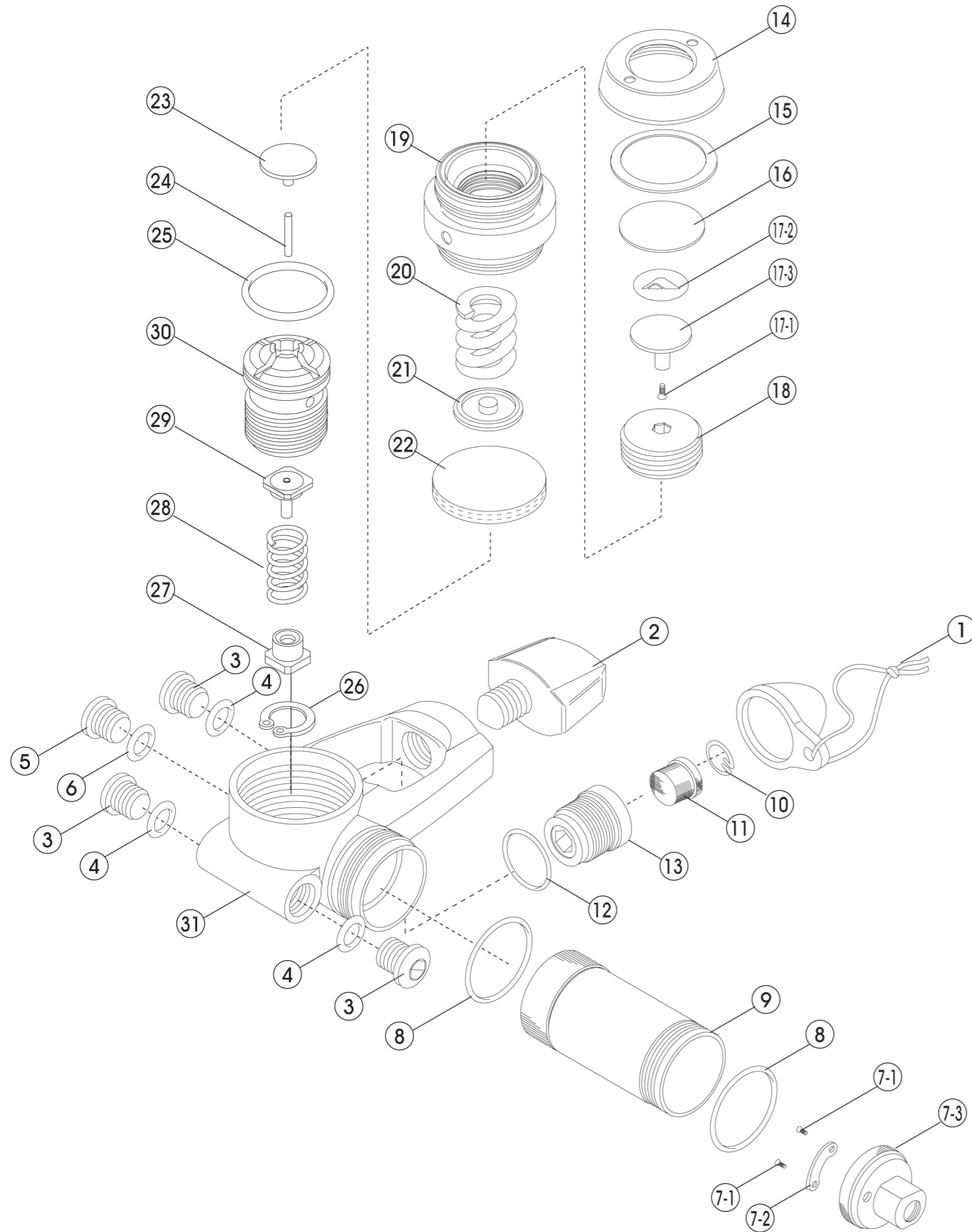


1st stage a-110 / a-110 Nr_x



No.	Code	Description	Note
1	2184380001	DUST CAP FOR YOKE WITH STRING	
1-1	3104080280	STRING FOR DUST CAP	
1-2	3103080010	DUST CAP FOR YOKE	
2	2122080000	●YOKE SCREW	OUT OF PRODUCTION
3	3100101101	PLUG (A) : 3/8 FOR L.P.	
4	3993592011	O-RING ARP-011/HS75	
5	3100101102	PLUG (C) : 7/16 FOR H.P.	
6	3993592012	O-RING ARP-012/HS75	
	3993898012	O-RING ARP-012/HS90 VITON ID/9.25	
7	2120270100	MOISTURE CAP WITH FILLING PORT 3/8 W.SV	
	2120280100	MOISTURE CAP WITH FILLING PORT 3/8 D.GY	
7-1	3120010001	SCREW FOR CHECK VALVE BIO FILTER BS	
7-2	3122000101	CHECK VALVE FOR BIO FILTER (BK)	
7-3	3120270100	MOISTURE CAP WITH WATER FILLING PORT 3/8 SV AL Y	
	3120280100	MOISTURE CAP WITH WATER FILLING PORT 3/8 BK AL Y	
8	3993592023	O-RING ARP-023/HS75	
9	3120270003	HUMIDIFIER TUBE FOR A-110 W.SV	
	3120200033	HUMIDIFIER TUBE FOR A-110 D.GY	
10	3101200064	FILTER RETAINER FOR A-102,108,110,120	
11	3990800412	FILTER 150 MICRON BUCKET TYPE	
12	3993592015	O-RING ARP-015/HS75	
	3993898015	O-RING ARP-015/HS90 VITON ID/14.00	
13	3120100006	VALVE PORT FOR A-110,120	
14	3120270001	OUTER DIAPHRAGM HOLDER A-110,120 W.SV	
	3120100004	●OUTER DIAPHRAGM HOLDER A-110,120 D.GY	OUT OF PRODUCTION
15	3102480001	DIAPHRAGM WASHER PET	
16	3102400021	OUTER DIAPHRAGM	
17-1	3990100079	SCREW M2X8	
17-2	3104681000	BIO MARKED STICKER FOR PISTON	
17-3	3100101108	PISTON : FOR A-108/110/320	
18	3100101110	ADJUST SCREW : FOR A-108/110/320	
19	3120100005	LOCK NUT FOR A-110,120 (W.SV)	
	3120280001	LOCK NUT FOR A-110,120 (D.GY)	
20	3101200062	ADJUST SPRING FOR L.P:FOR REGULATOR	
21	3100101111	SPRING PAD : FOR A-101,2,5,7,8,10,320	
22	3103980105	HIGH PRESSURE DIAPHRAGM	
23	3100101105	PUSH ROD PAD : FOR A-101,2,5,7,8,10	
24	3990100072	PUSH ROD PIN : A-101,2,5,7,8,10 (SUS304)	
25	3993594017	O-RING ARP-017/HS90	
	3993898017	O-RING ARP-017/HS90 VITON ID/17.17	
26	3990500101	RETAINING RING	
27	2100100050	BALANCE CHAMBER WITH O-RING: A-101,2,5,7,8,10,20	
27-1	3993592006	O-RING ARP-006/HS75	
	3993898006	O-RING ARP-006/HS90 VITON ID/2.90	
27-2	3102070000	BACKUP RING: A-101,2,5,7,8,10,320	
27-3	3100101103	BALANCE CHAMBER : FOR A-101,2,5,7,8,10	
28	3101200071	HIGH PRESSURE SPRING : A-101,2,5,7,8,10,320	
29	3100103210	PTEG 2000 HIGH PRESSURE SEAT	
30	3100101115	H.P. MODULE WITH GUIDE SPEC FOR REGULATOR	
31	3120270004	●BODY A-110 W.SV	OUT OF PRODUCTION
	3121300002	BODY A-110 D.GY	OUT OF PRODUCTION