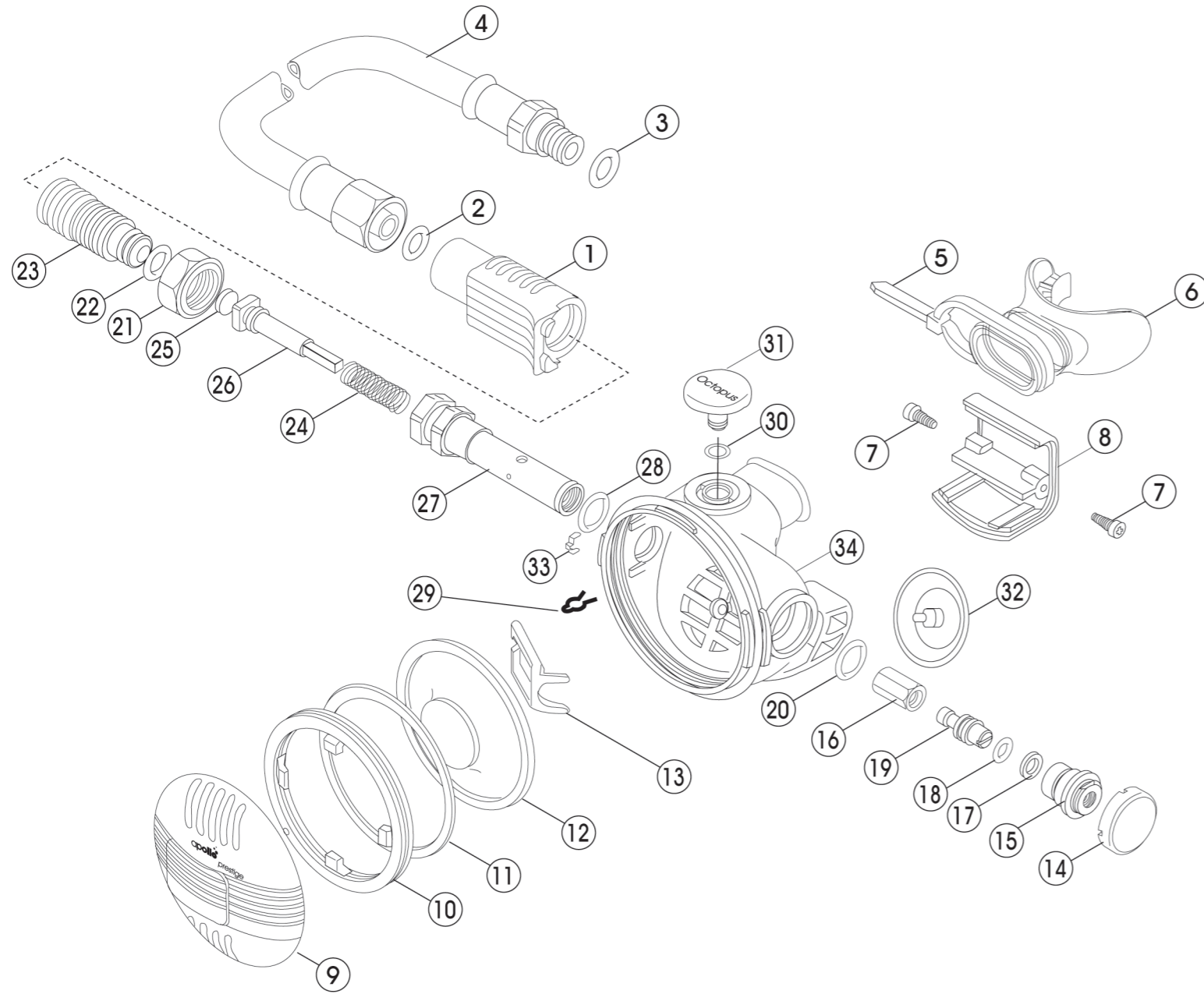


2nd stage prestige OCT2



No.	Code	Description	Note
1	3102080113	HOSE PROTECTOR	
2	3993592010	O-RING ARP-010/HS75	
3	3993592011	O-RING ARP-011/HS75	
4	3103983070	●L.P. HOSE FOR REGULATOR 70CM	OUT OF PRODUCTION
	3113983090	L.P. HOSE FOR OCT (BK) 90CM	
5	3992970100	NYLON CLAMP (WT)	
6	3103100001	MOUTHPIECE PRESTIGE (CL)	
7	3990100308	SCREW SUS M3X8	
8	3102080107	EXHAUST COVER	
9	2102021201	●TOP COVER ASSY, PRESTIGE (F.PK)	OUT OF PRODUCTION
	2102023501	●TOP COVER ASSY, PRESTIGE (F.YL)	OUT OF PRODUCTION
	2102056001	●TOP COVER ASSY, PRESTIGE (COBL)	OUT OF PRODUCTION
	2102070001	●TOP COVER ASSY, PRESTIGE (WT)	OUT OF PRODUCTION
	2102022501	●TOP COVER ASSY, PRESTIGE (F.OG)	OUT OF PRODUCTION
	2102024501	●TOP COVER ASSY, PRESTIGE (F.GN)	OUT OF PRODUCTION
	2102065001	●TOP COVER ASSY, PRESTIGE (P.L)	OUT OF PRODUCTION
	2102080001	●TOP COVER ASSY, PRESTIGE (BK)	OUT OF PRODUCTION
9-1	3101200054	PURGE BUTTON SPRING	
9-2	3102080104	PURGE BUTTON FOR PRESTIGE	
10	3102080112	SNAP RING ABS BK	
11	3102470003	COVER RING	
12	3103070011	●DIAPHRAGM PRESTIGE	OUT OF PRODUCTION
13	3101100083	DEMAND LEVER 2ND	
14	3102080114	●ADJUST KNOB CAP OCT	OUT OF PRODUCTION
15	3100103078	●BONNET FOR REGULATOR	OUT OF PRODUCTION
16	3100103076	○ADJUST NUT FOR REGULATOR	
17	3102400002	TEFLON WASHER FOR SS 2ND STAGE	
18	3993392505	O-RING S-8/HS75	
18	3100103077	●ADJUST SHAFT	OUT OF PRODUCTION
20	3993592015	O-RING ARP-015/HS75	
21	3100103025	●LOCK NUT	OUT OF PRODUCTION
22	3993592011	O-RING ARP-011/HS75	
23	3100103089	VALVE CONE FOR PRESTIGE STANDARD	
24	3101200011	CARRIER SPRING	
25	3103080013	2ND STAGE VALVE SEAT	
26	3100103024	SEAT CARRIER FOR REGULATOR	
27	3100103100	●DEMAND VALVE HOUSING	OUT OF PRODUCTION
28	3993592015	O-RING ARP-015/HS75	
29	3102080111	AIR FLOW TUBE	
30	3990900002	CLIP	
31	3993390504	O-RING S-4/HS50	
32	3102080110	AIR FLOW ADJUSTER	
33	3103070014	EXHAUST VALVE	
34	3101180000	TOP COVER LOCK PRESTIGE	
35	3102080101	●BOTTOM BOX, PRESTIGE	OUT OF PRODUCTION