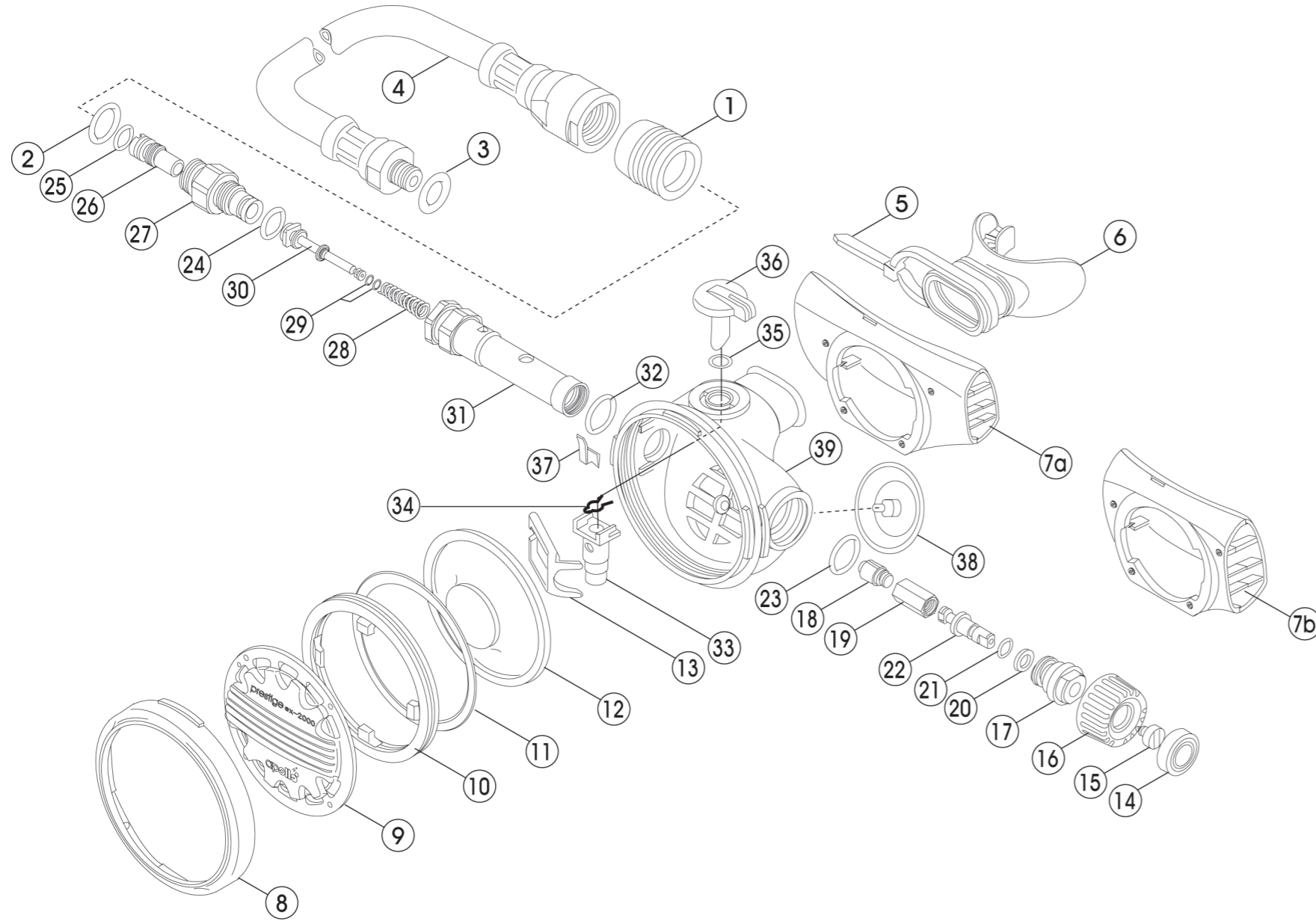


2nd stage ex2000



No.	Code	Description	Note
1	3103080050	RUBBER PROTECTOR FOR REGULATOR (BIO&EX)	
2	3993592013	O-RING ARP-013/HS75	
3	3993592011	O-RING ARP-011/HS75	
4	2185004073	L.P. HOSE WITH BALLJOINT FOR REGULATOR 70CM	
	2185004093	L.P. HOSE WITH BALL JOINT FOR OCT (BK) 90CM	
5	3992970100	NYLON CLAMP (WT)	
6	3103100001	MOUTHPIECE PRESTIGE (CL)	
7a	2102081004	EXHAUST TEE FOR REGULATOR BIO, PRESTIGE	
7b	2102081006	EXHAUST TEE FOR OCTOPUS BIO, PRESTIGE	
8	3102036000	●TOP COVER HOLDER	OUT OF PRODUCTION
9	3102080150	●TOP COVER	OUT OF PRODUCTION
10	3102080112	SNAP RING ABS BK	
11	3102470003	COVER RING	
12	3103070011	●DIAPHRAGM PRESTIGE	OUT OF PRODUCTION
13	3101100084	●DEMAND LEVER : FOR PRESTIGE 2ND	OUT OF PRODUCTION
14	3102080109	KNOB CAP (BK)	
15	3100103079	ノブトメネジ	
16	3102080108	ADJUSTING KNOB	
17	3100103104	BONNET B PRESTIGE BALANCE	
18	3102080120	CYLINDER B PRESTIGE BALANCE	
19	3100103106	NUT B PRESTIGE BALANCE	
20	3102400002	TEFLON WASHER FOR SS 2ND STAGE	
21	3993390504	O-RING S-4/HS50	
22	3100103105	●SHAFT B PRESTIGE BALANCE	OUT OF PRODUCTION
23	3993592015	O-RING ARP-015/HS75	
24	3993592011	O-RING ARP-011/HS75	
25	3993392504	O-RING S-7/HS75	
26	3100103101	VALVE CONE B	
27	3100103102	VALVE CONE HOLDER B	
28	3101200017	CARRIER SPRING B PRESTIGE BALANCE	
29	3993970001	O-RING VALVE SEAT CARRIER B	
30	2100100014	VALVE SEAT/CARRIER ASSY - PRESTIGE	
31	3100103103	VALVE HOUSING B PRESTIGE BALANCE	
32	3993592015	O-RING ARP-015/HS75	
33	3102080111	AIR FLOW TUBE	
34	3990900002	CLIP	
35	3993390504	O-RING S-4/HS50	
36	3102080110	AIR FLOW ADJUSTER	
37	3101180002	TOP COVER LOCK SPRING ED2R13 SUS304SP	
38	3103070014	EXHAUST VALVE	
39	3102080300	●BOTTOM CASE : FOR PRESTIGE 2ND	OUT OF PRODUCTION