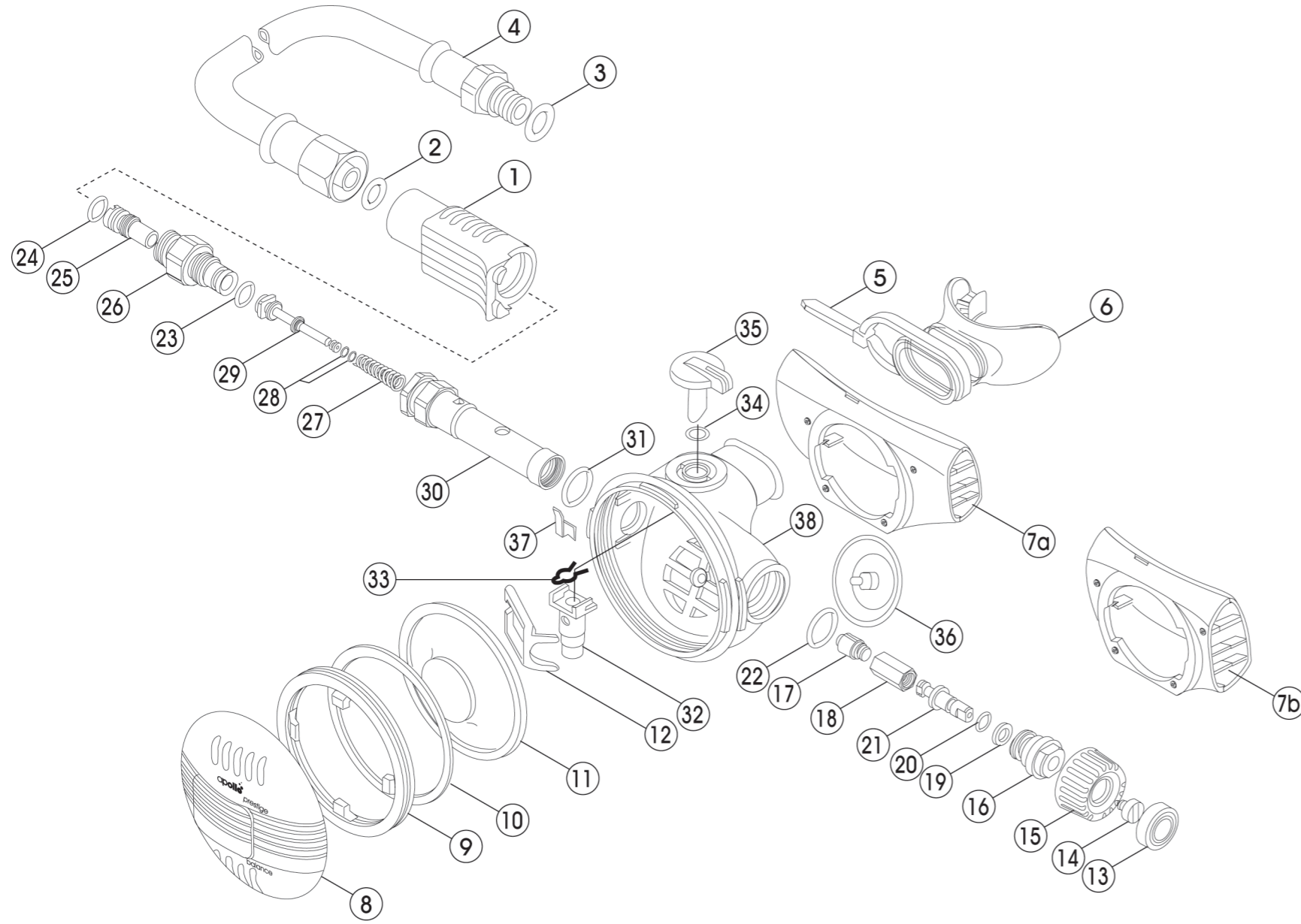


# 2nd stage prestige balance



No.	Code	Description	Note
1	3102080113	HOSE PROTECTOR	
2	3993592010	O-RING ARP-010/HS75	
3	3993592011	O-RING ARP-011/HS75	
4	3103983070	●L.P. HOSE FOR REGULATOR 70CM	OUT OF PRODUCTION
	3113983090	L.P. HOSE FOR OCT (BK) 90CM	
5	3992970100	NYLON CLAMP (WT)	
6	3103100001	MOUTHPIECE PRESTIGE (CL)	
7a	2102081004	EXHAUST TEE FOR REGULATOR BIO, PRESTIGE	
7b	2102081006	EXHAUST TEE FOR OCTOPUS BIO, PRESTIGE	
8	2102121201	TOP COVER ASSY B : PRESTIGE (F.PK)	
	2102122501	TOP COVER ASSY B : PRESTIGE (F.OG)	
	2102123501	TOP COVER ASSY B : PRESTIGE (F.YL)	
	2102124501	TOP COVER ASSY B : PRESTIGE (F.GN)	
	2102156001	TOP COVER ASSY B : PRESTIGE (COBL)	
	2102165001	TOP COVER ASSY B : PRESTIGE (PL)	
	2102170001	●TOP COVER ASSY B : PRESTIGE (WT)	OUT OF PRODUCTION
	2102180001	TOP COVER ASSY B : PRESTIGE (BK)	
	2102180101	●TOP COVER ASSY B : PRESTIGE (GF)	OUT OF PRODUCTION
8-1	3101200054	PURGE BUTTON SPRING	
8-2	3102080104	PURGE BUTTON FOR PRESTIGE	
9	3102080112	SNAP RING ABS BK	
10	3102470003	COVER RING	
11	3103070011	●DIAPHRAGM PRESTIGE	OUT OF PRODUCTION
12	3101100084	●DEMAND LEVER : FOR PRESTIGE 2ND	OUT OF PRODUCTION
13	3102021209	KNOB CAP (F.YL)	
	3102023509	KNOB CAP (F.YL)	
	3102024509	KNOB CAP (F.OG)	
	3102056109	KNOB CAP (COBL)	
	3102065009	KNOB CAP (PL)	
	3102070109	KNOB CAP (WT)	
	3102080109	KNOB CAP (BK)	
14	3990100155	TRUSS SCREW (M3x5) BS-NI	
15	3102080108	ADJUSTING KNOB	
16	3100103104	BONNET B PRESTIGE BALANCE	
17	3102080120	CYLINDER B PRESTIGE BALANCE	
18	3100103106	NUT B PRESTIGE BALANCE	
19	3102400002	TEFLON WASHER FOR SS 2ND STAGE	
20	3993390504	O-RING S-4/HS50	
21	3100103105	●SHAFT B PRESTIGE BALANCE	OUT OF PRODUCTION
22	3993592015	O-RING ARP-015/HS75	
23	3993592011	O-RING ARP-011/HS75	
24	3993392504	O-RING S-7/HS75	
25	3100103101	VALVE CONE B	
26	3100103102	VALVE CONE HOLDER B	
27	3101200017	CARRIER SPRING B PRESTIGE BALANCE	
28	3993970001	O-RING VALVE SEAT CARRIER B	
29	2100100014	VALVE SEAT/CARRIER ASSY - PRESTIGE	
30	3100103103	VALVE HOUSING B PRESTIGE BALANCE	
31	3993592015	O-RING ARP-015/HS75	
32	3102080111	AIR FLOW TUBE	
33	3990900002	CLIP	
34	3993390504	O-RING S-4/HS50	
35	3102080110	AIR FLOW ADJUSTER	
36	3103070014	EXHAUST VALVE	
37	3101180002	TOP COVER LOCK SPRING ED2R13 SUS304SP	
38	3102080300	●BOTTOM CASE : FOR PRESTIGE 2ND	OUT OF PRODUCTION