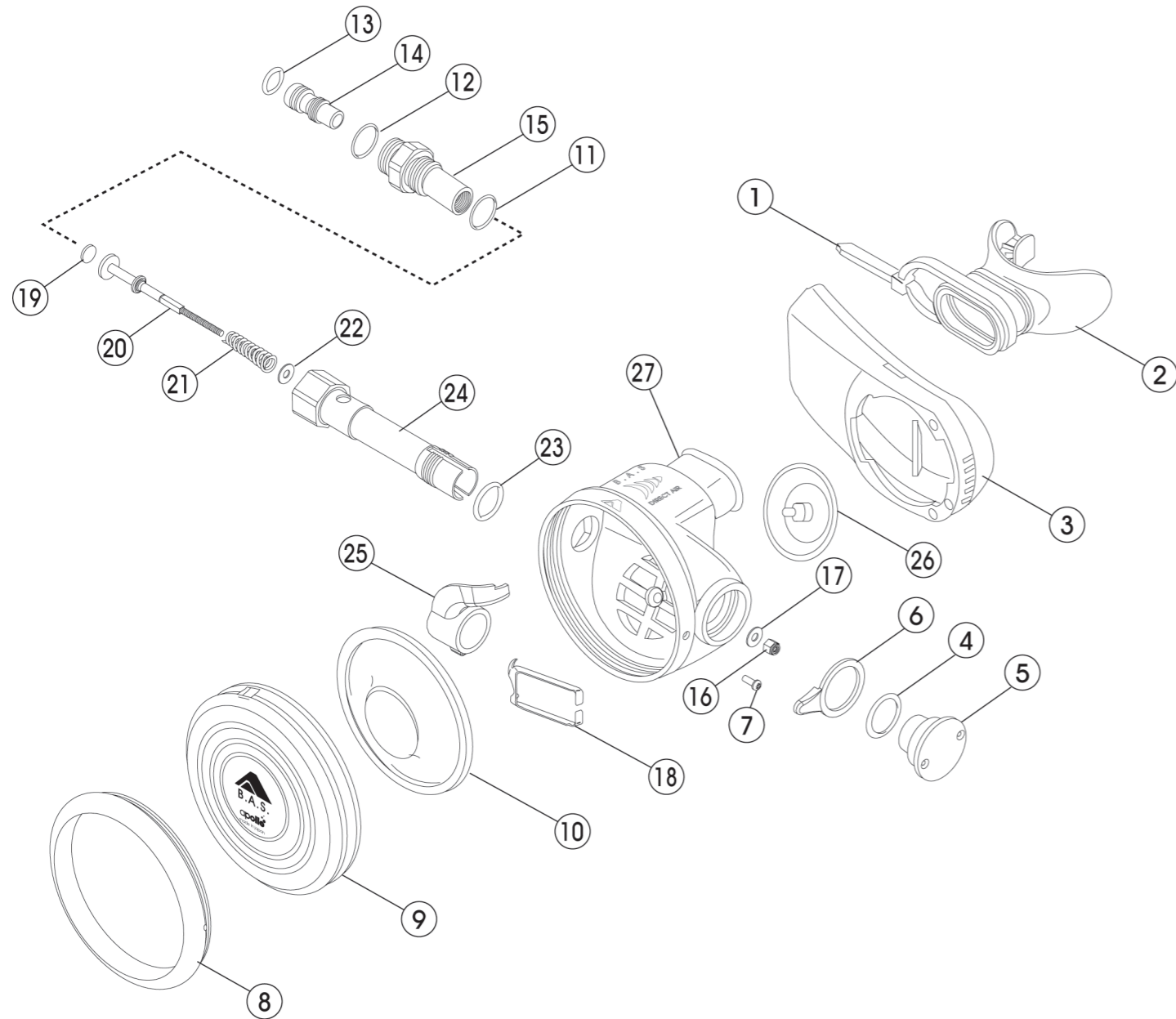


2nd stage bio TYPE II After OCT '13



No.	Code	Description	Note
1	3992980100	NYLON CLAMP RING	
2	3103080037	MOUTHPIECE PRESTIGE (BK)	
3	2102081005	EXHAUST TEE FOR ECODIVER REGULATOR	
4	3993592015	O-RING ARP-015/HS75	
5	3102080408	BONNET AL:POM FOR BIO REGULATOR	
6	3102080601	TOP COVER LOCK : FOR BIO	
7	3990100231	PAN HEAD TAPPING SCREW (M2.3X6 SUS)	
8	3100100122	TOP COVER RING FOR BIO : YL ALMINUM	
9	3102080409	TOP COVER BIO BK with BIO MARK	
10	2100070000	DIAPHRAGM : WT SILICONE FOR BIO	
10-1	3100100105	DIAPHRAGM PLATE POM : WT FOR BIO	
10-2	3103170000	DIAPHRAGM WT	
11	3993592014	O-RING ARP-014/HS75	
12	3993592013	O-RING ARP-013/HS75	
13	3993592010	O-RING ARP-010/HS75	
14	3100100104	VALVE CONE POM : 2ND WT FOR BIO	
15	3100100101	VALVE CONE HOLDER : FOR BIO	
16	3990100120	NYLON NUT : M3 SUS304 FOR BIO	
17	3990100062	WASHER M3 SUS304 3.3x8x0.5	
18	3101100087	DEMAND LEVER : WATER REPELLENT FOR BIO	
19	3103080013	2ND STAGE VALVE SEAT	
20	3100100112	VALVE SEAT CARRIER : WATER REPELLANT	
21	3101200063	STANDARD CARRIER SPRING FOR BIO	
22	3990100011	WASHER M4 SUS304 4.3X8	
23	3993592015	O-RING ARP-015/HS75	
24	3100100501	VALVE HOUSING TYPE 3	
25	3102080600	AIR GUIDE	
26	3103070014	EXHAUST VALVE	
27	3102080500	BOTTOM CASE: BK FOR BIO	