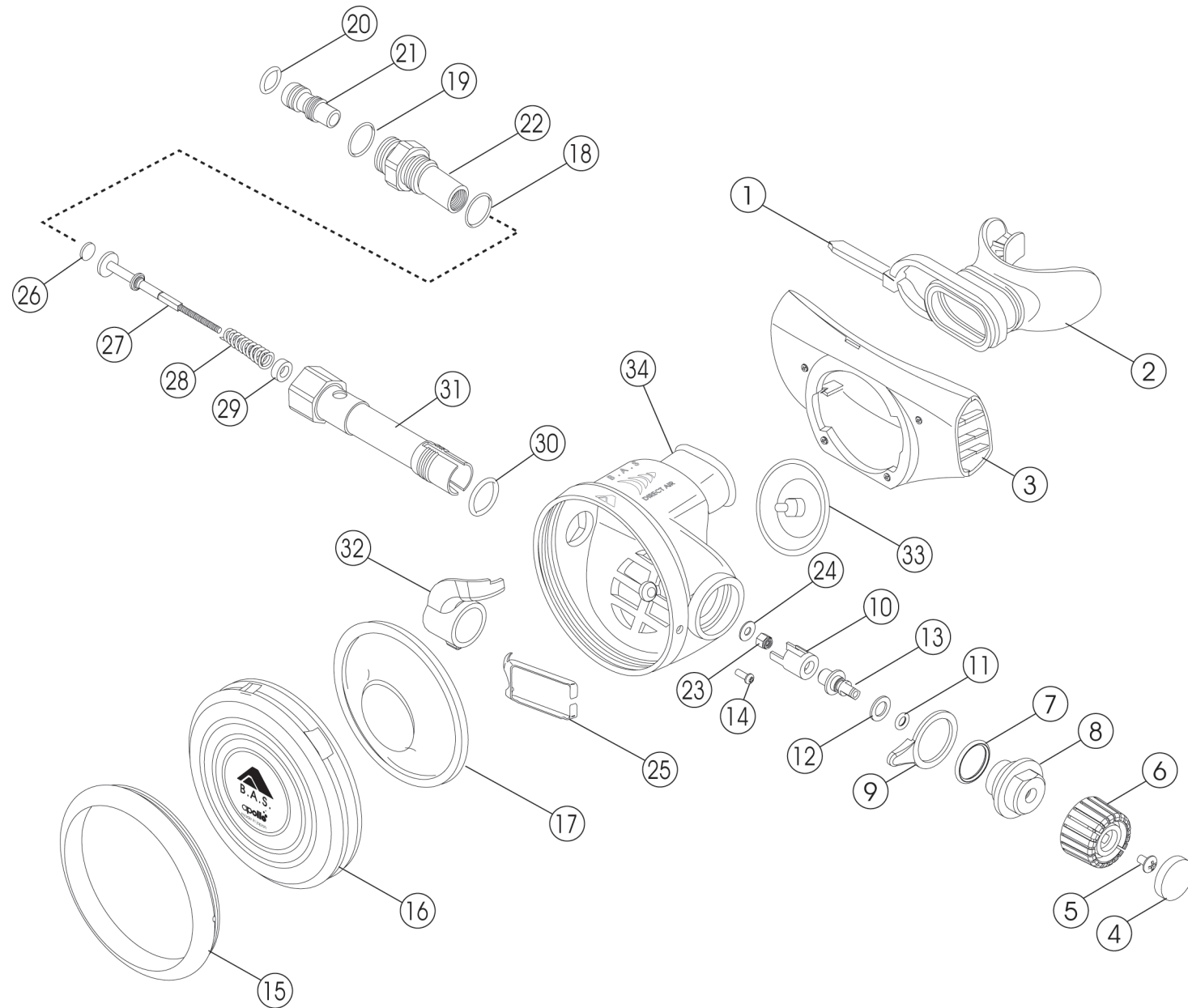


2nd stage bio TYPE III After OCT '22



No.	Code	Description	Note
1	3992980100	NYLON CLAMP RING	
2	3103080037	MOUTHPIECE PRESTIGE (BK)	
3	2102081004	EXHAUST TEE FOR REGULATOR BIO, PRESTIGE	
4	3102080109	KNOB CAP (BK)	
5	3990100401	SCREW M3x5 BS	
6	3102080108	ADJUSTING KNOB	
7	3993592015	O-RING ARP-015/HS75	
8	3100103121	BONNET TYPE 3 BS NI-CR	
9	3102080601	TOP COVER LOCK : FOR BIO	
10	3100102061	CYLINDER NUT TYPE 3	
11	3993390504	O-RING S-4/HS50	
12	3102400002	TEFLON WASHER FOR SS 2ND STAGE	
13	3100102063	ADJUST SHAFT TYPE 3	
14	3990100231	PAN HEAD TAPPING SCREW (M2.3X6 SUS)	
15	3100100106	TOP COVER RING FOR BIO : WT ALMINUM	
	3100100123	TOP COVER RING FOR BIO : BK ALMINUM	
16	3102080409	TOP COVER BIO BK with BIO MARK	
17	2100070000	DIAPHRAGM : WT SILICONE FOR BIO	
	2100080002	DIAPHRAGM : BK SILICONE FOR BIO	
17-1	3100100108	DIAPHRAGM PLATE POM : BK FOR BIO	
17-2	3103170000	DIAPHRAGM WT	
	3103180002	DIAPHRAGM BK	
18	3993592014	O-RING ARP-014/HS75	
19	3993592013	O-RING ARP-013/HS75	
20	3993592010	O-RING ARP-010/HS75	
21	3100100104	VALVE CONE POM : 2ND WT FOR BIO	
22	3100100101	VALVE CONE HOLDER : FOR BIO	
23	3990100120	NYLON NUT : M3 SUS304 FOR BIO	
24	3990100062	WASHER M3 SUS304 3.3x8x0.5	
25	3101100087	DEMAND LEVER : WATER REPELLENT FOR BIO	
26	3103080013	2ND STAGE VALVE SEAT	
27	3100100112	VALVE SEAT CARRIER : WATER REPELLANT	
28	3101200063	STANDARD CARRIER SPRING FOR BIO	
29	3100102060	CYLINDER WASHER	
30	3993592015	O-RING ARP-015/HS75	
31	3100100501	VALVE HOUSING TYPE 3	
32	3102080600	AIR GUIDE	
33	3103070014	EXHAUST VALVE	
34	3102080500	BOTTOM CASE: BK FOR BIO	