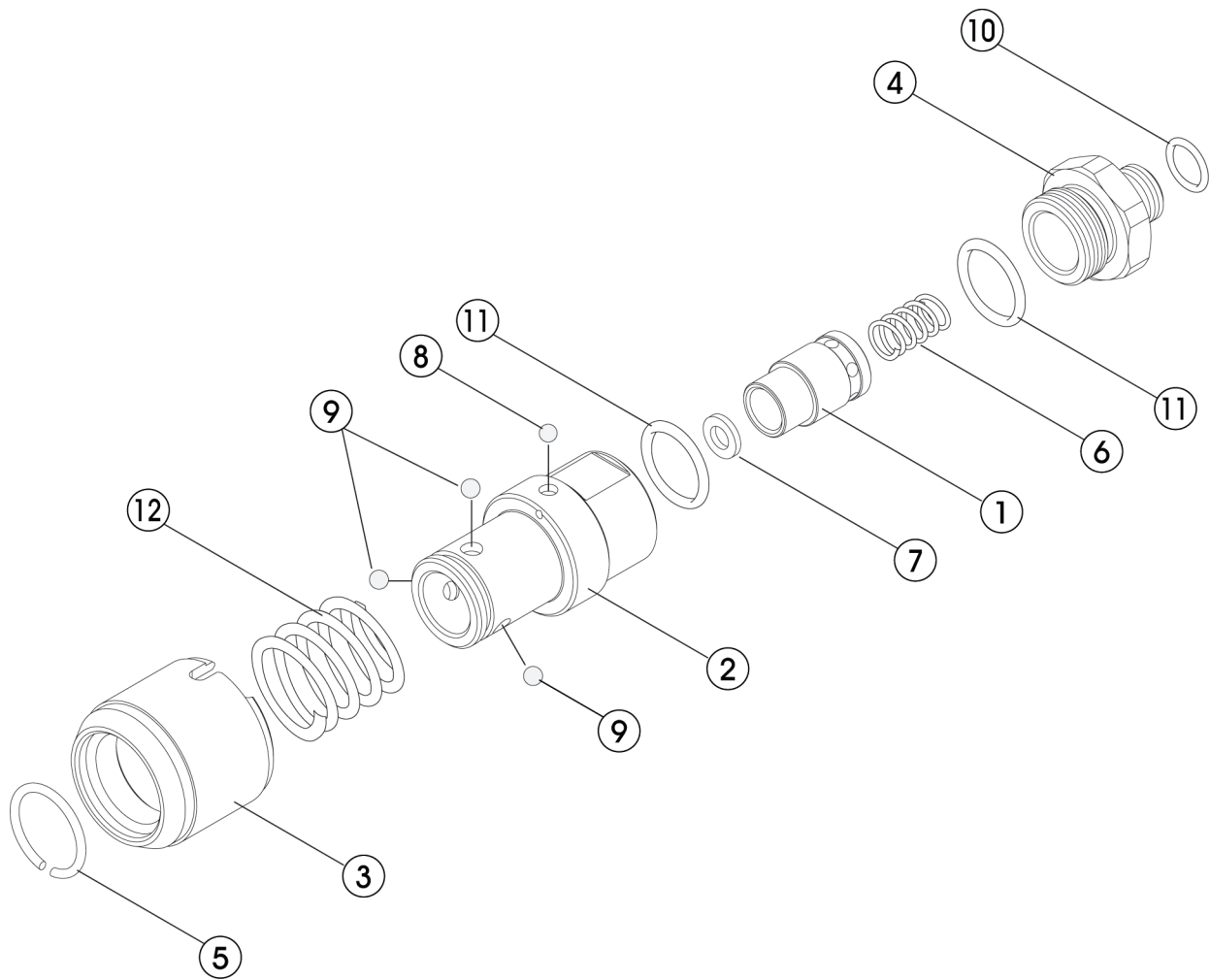


Coupler Assy A



| No. | Code | Description | Note |
|-----|------------|-------------------------|------|
| | 219000001 | COUPLER ASSY A | |
| 1 | 3190200032 | SHAFT A COUPLER A | |
| 2 | 3190200033 | SHAFT B COUPLER A | |
| 3 | 3190200034 | SHAFT C COUPLER A | |
| 4 | 3190200035 | SHAFT E COUPLER A | |
| 5 | 3191200003 | SNAP RETAINER ϕ 14 | |
| 6 | 3191200001 | COIL SPRING A | |
| 7 | 3193080001 | GASKET A | |
| 8 | 3191900001 | SUS BALL ϕ 3.0 | |
| 9 | 3191900002 | SUS BALL ϕ 3.5 | |
| 10 | 3993592011 | O-RING ARP-011/HS75 | |
| 11 | 3993592014 | O-RING ARP-014/HS75 | |
| 12 | 3191200002 | COIL SPRING B | |