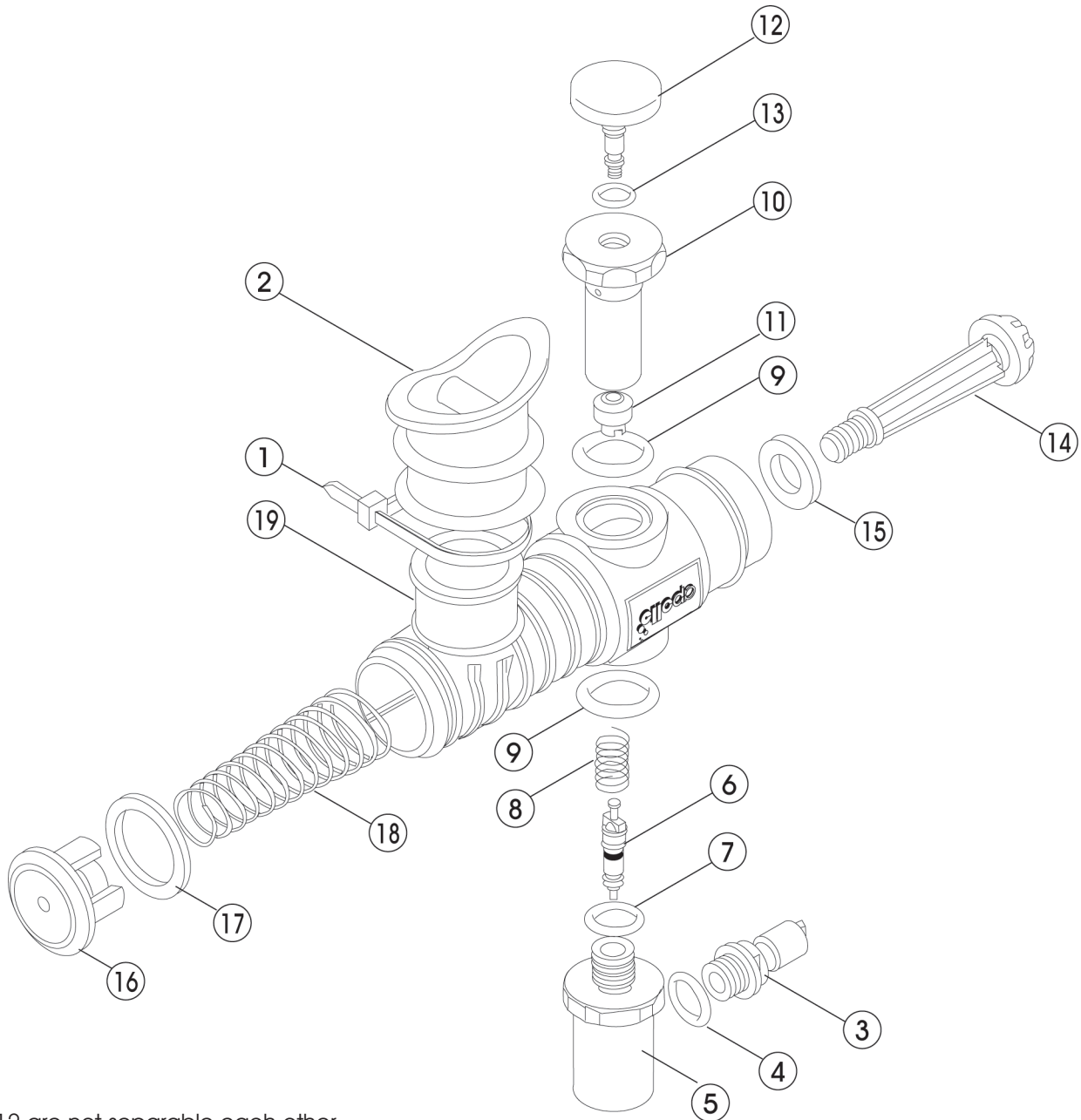


Power inflator Assy '88



#11 & #12 are not separable each other.
If should use new parts for both of them to exchange,
use the locktight glue in assemble.

No.	Code	Description	Note
	2300100290	POWER INFLATOR ASSY '88	
1	3992980150	NYLON CLAMP/INFLATOR CV-150 BK FOR B.C.	
2	3303080060	MOUTHPIECE FOR B.C. INFLATOR	
3	3300103501	QUICK DISCONNECT FOR B.C. INFLATOR	
4	3993592011	O-RING ARP-011/HS75	
5	3300203601	VALVE HOUSING FOR B.C.	
6	3990900502	21-562-106 VALVE CORE	
7	3993392505	O-RING S-8/HS75	
8	3301200601	VALVE SPRING FOR B.C.	
9	3993092011	O-RING P-12/HS75	
10	3300203502	VALVE HOUSING FOR B.C.	
11	2306000010	21-626-004 SEAT ASSY.INFLATOR	
12	2300250107	●DIS:PUSH BUTTON ASSY FOR B.C. INFLATOR	OUT OF PRODUCTION
13	3993392503	O-RING S-6/HS75	
14	3302080112	STEM FOR B.C.	
15	3303480008	INHALATION VALVE SEAT FOR B.C.	
16	3302025603	PUSH BOTTON FOR B.C.	
17	3303480009	EXHAUST VALVE SEAT FOR B.C.	
18	3301200604	SPRING FOR B.C.	
19	3302080590	HOUSING - POWER INFLATOR	