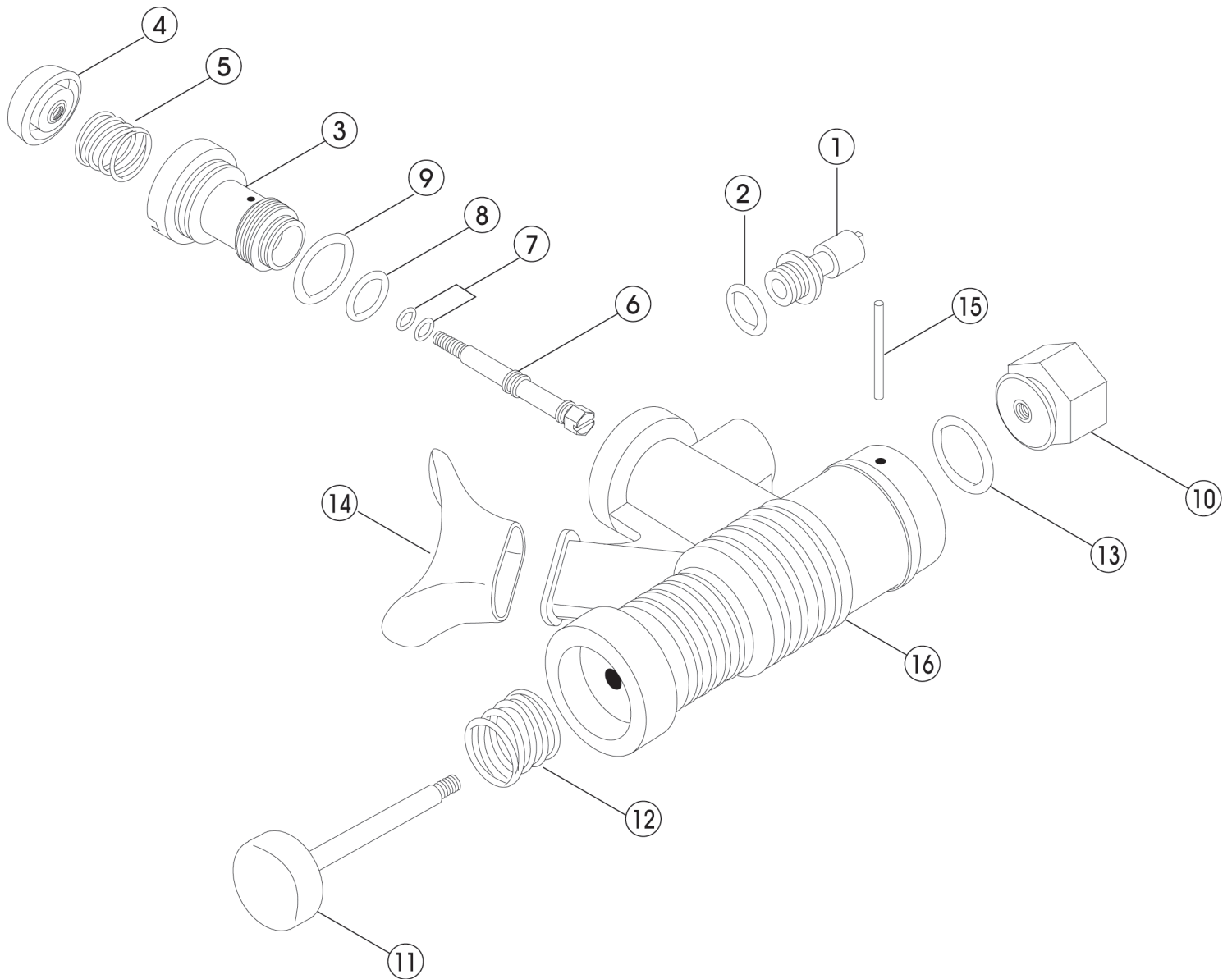


Power Inflator Assy for bio-lift / bio-control XD



#4 & #6, #10 & #11 are not separable each other.
If should use new parts for both of them to exchange,
use the locktight glue in assemble.

No.	Code	Description	Note
	2300110301	POWER INFLATOR ASSY FOR BIO LIFT, XD	
1	3300103503	QUICK DISCONNECT FOR B.C. INFLATOR	
2	3993592011	O-RING ARP-011/HS75	
3	3300203602	VALVE HOUSING FOR B.C.	
4	3300203002	INFLATOR BUTTON (GRAY)	
5	3301200611	ORAL INFLATOR BUTTON SPRING	
6	3300103502	VALVE CORE	
7	3993592006	O-RING ARP-006/HS75	
8	3993592012	O-RING ARP-012/HS75	
9	3993592112	O-RING ARP-112/HS75	
10	3300120701	NUT -ORAL	
11	3302080304	DEFLATOR BUTTON / SHAFT	
12	3301200610	ORAL DEFLATOR BUTTON SPRING	
13	3993092008	O-RING P-10A/HS75	
14	3303080061	MOUTHPIECE	
15	3300120702	RETAINING DOWEL PIN S/S	
16	3302080303	INFLATOR BODY	