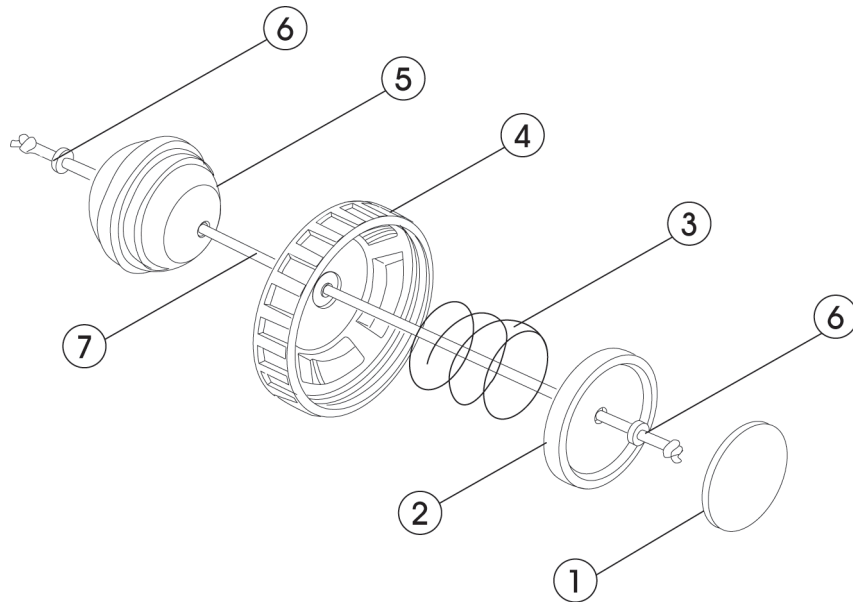


Safety Valve



No.	Code	Description	Note
	2300280001	PULL KNOB ASSY FOR B.C.	
1	3303470001	VALVE SEAT SILICONE FOR B.C.	
2	3302080013	VALVE RETAINER FOR B.C.	
3	3301200014	SPRING SV 89 FOR B.C.	
4	3302080111	CAP RELIEF VALVE #2 FOR B.C.	
5	3302080017	PULL KNOB FOR OVER PRESSURE VALVE - USD	OUT OF PRODUCTION
	3302080042	PULL KNOB FOR OVER PRESSURE VALVE	
6	3990504002	WASHER (B) FOR B.C.	
7	3304080035	CORD FOR B.C. (1.5x350MM)	