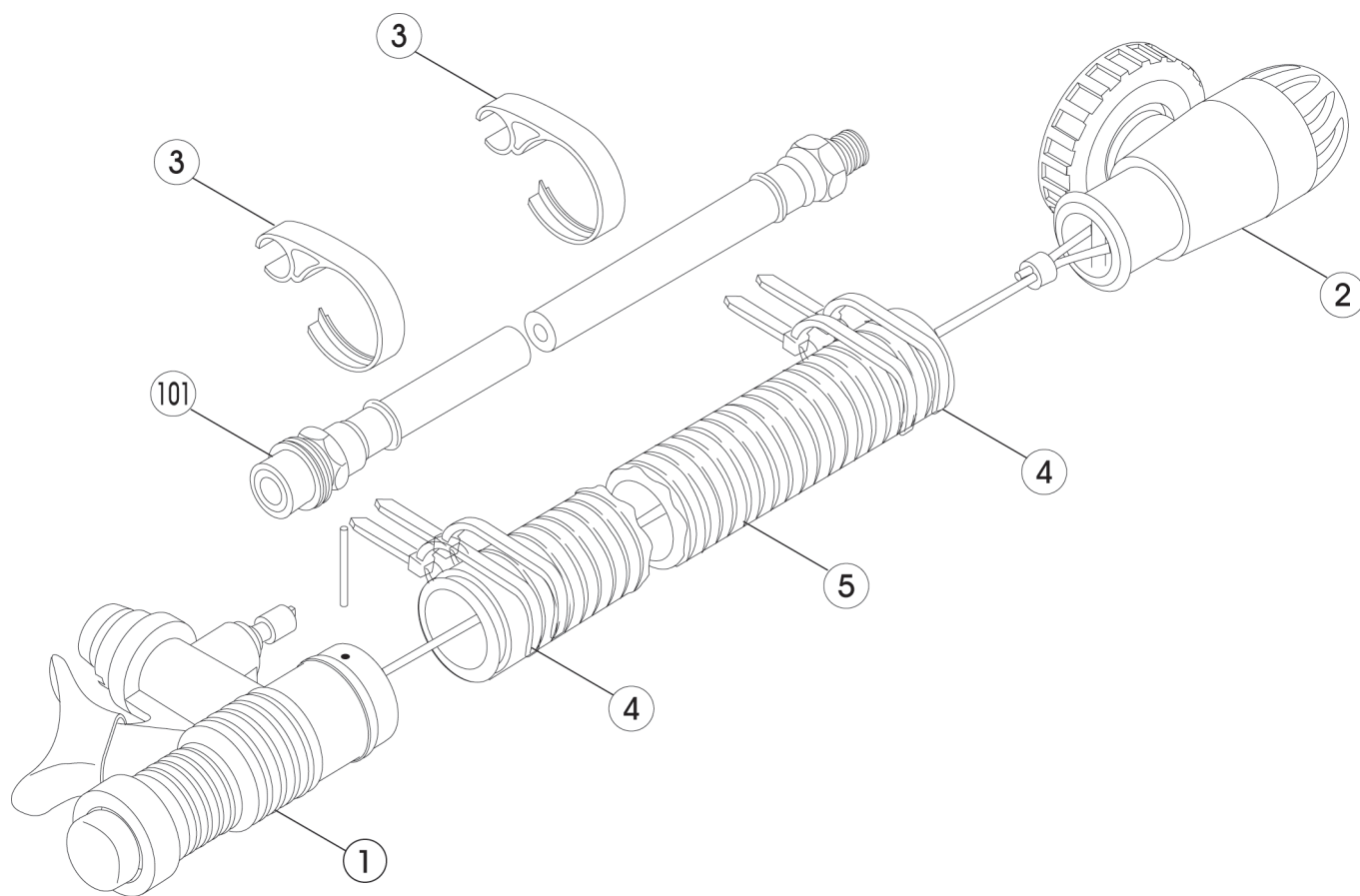


Corrugated Hose Assy for bio-lift / bio-control XD



No.	Code	Description	Note
1~5	2300280304	CORRUGATED HOSE	
1	2300110301	POWER INFLATOR ASSY FOR BIO LIFT, XD	
2	2300180201	● QUICK VALVE ASSY WITH WIRE FOR B.C.	OUT OF PRODUCTION
3	3302080302	HOSE CLIP	
4	3992980150	NYLON CLAMP/INFLATOR CV-150 BK FOR B.C.	
5	3302180016	17" RUBBER FLEX HOSE	
101	2300280060	L.P. HOSE FOR B.C. 60CM	
	2300280070	L.P. HOSE FOR B.C. 70CM	