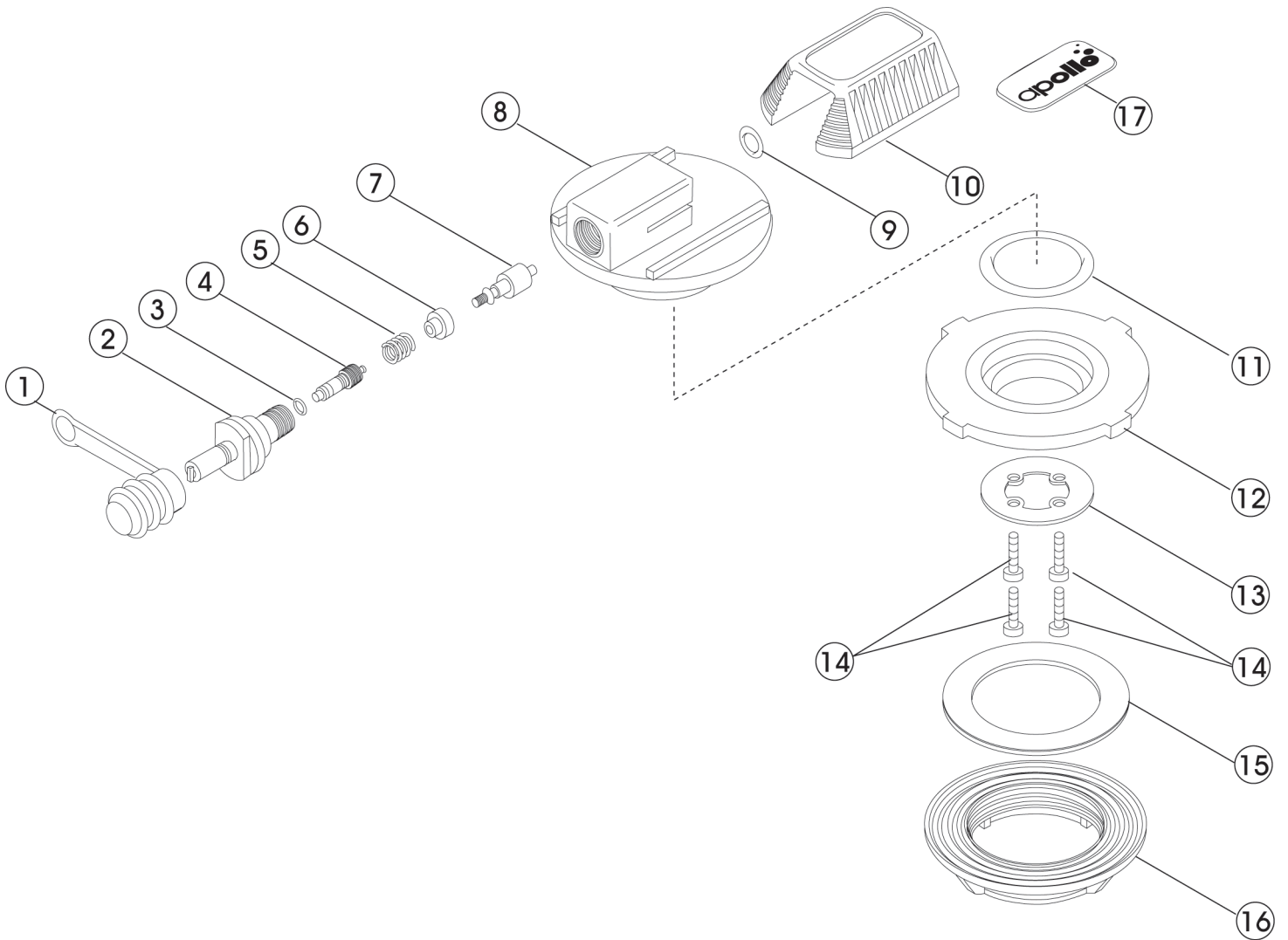


Inlet Valve



No.	Code	Description	Note
	2400000002	INLET VALVE FOR DRY SUIT	
1	3403080005	VALVE CAP FOR B.V.S.INLET	
2	3400103002	RETAINER QD	
3	3993592011	O-RING ARP-011/HS75	
4	3990900502	21-562-106 VALVE CORE	
5	3301200601	VALVE SPRING FOR B.C.	
6	2306000010	21-626-004 SEAT ASSY.INFLATOR	
7	3300104503	VALVE ROD	
8	3402080030	BODY FOR DRY SUIT VALVE	
9	3993392503	O-RING S-6/HS75	
10	3402080001	BUTTON	
11	3993090025	O-RING P-25/HS50	
12	3402080032	●BASE FOR DRY SUIT VALVE	OUT OF PRODUCTION
13	3401100001	PLATE	
14	3990100038	SCREW 3x10 (SUS)	
15	3402470000	DRY VALVE SLIP RING FOR B.V.S.INLET/EX	
16	3402080031	BACK CAP FOR DRY SUITS VALVE	
17	3404680001	DECAL FOR DRY SUIT INFLATOR BUTTON	