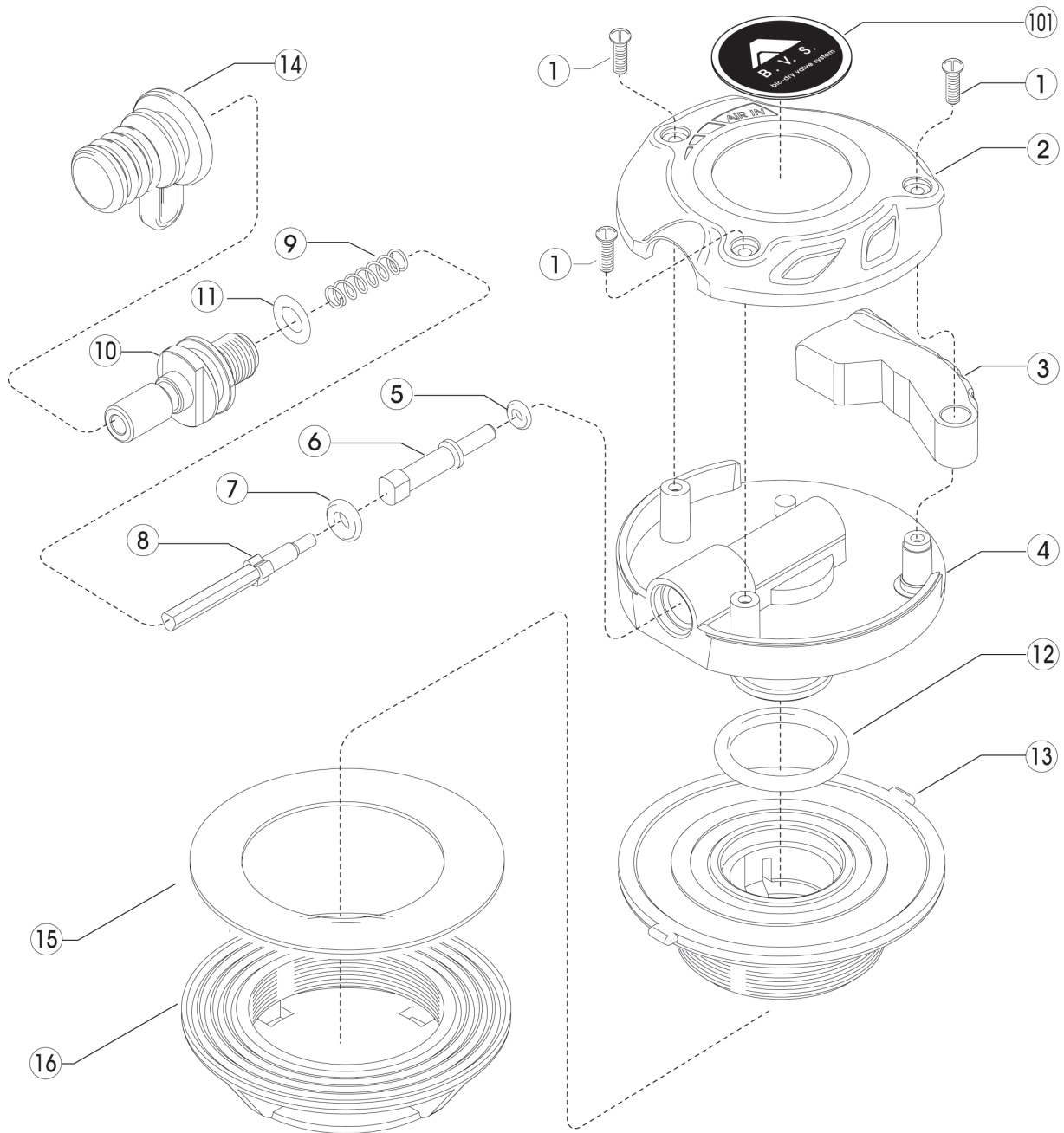


bio-dry Inlet Valve



No.	Code	Description	Note
1~16	2400000004	BVS INLET VALVE UNIT WITH NO DECAL	
1	3990100039	SCREW M2.6X8 TP SUS404	
2	3402080153	TOP COVER FOR B.V.S.INLET/EX	
3	3402080152	INLET LEVER FOR B.V.S. INLET	
4	3402080151	INLET BODY FOR B.V.S. INLET	
5	3993090003	O-RING P-3/HS50	
6	3402080154	ROD A FOR B.V.S.INLET	
7	3993592104	O-RING ARP-104/HS75	
8	3402080155	ROD B FOR B.V.S.INLET	
9	3401200055	SPRING FOR B.V.S. INLET	
10	3400103004	COUPLER FOR B.V.S.INLET	
11	3993592011	O-RING ARP-011/HS75	
12	3993590116	O-RING ARP-116/HS50 NBR	
13	3402080250	BASE COVER 2	
14	3403080005	VALVE CAP FOR B.V.S.INLET	
15	3402470000	DRY VALVE SLIP RING FOR B.V.S.INLET/EX	
16	3402080100	RETAINER FOR B.V.S.INLET/EX	
101	3404680003	DECAL FOR B.V.S. INLET/EX	