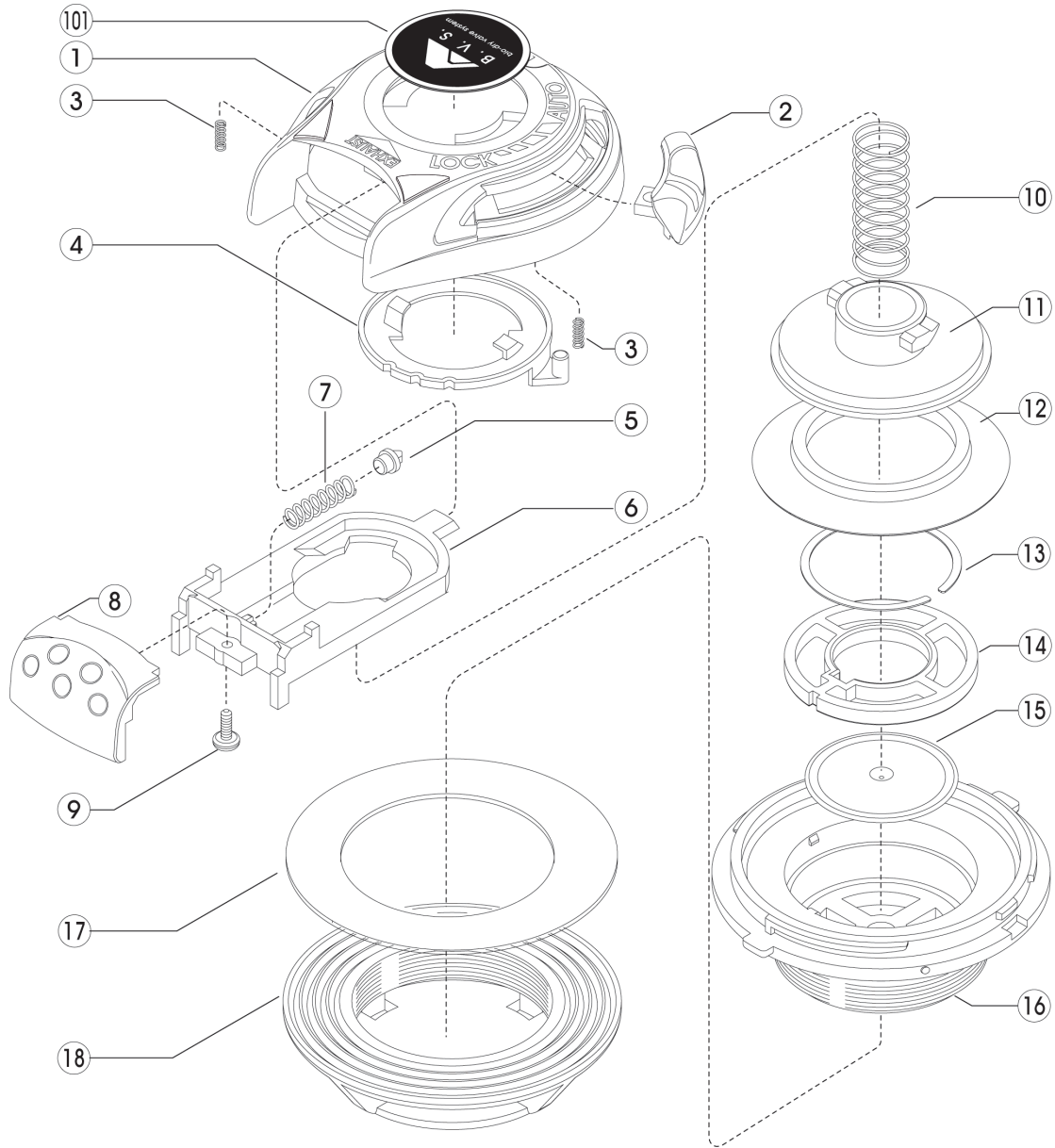


bio-dry Exhaust Valve



No.	Code	Description	Note
1~18	240000011	BVS EXHAUST VALVE UNIT WITH NO DECAL	
1	3402080107	TOP COVER FOR B.V.S.EX	
2	3402080102	ADJUST LEVER FOR B.V.S.EX	
3	3401200058	LOCK ASSIST SPRING FOR B.V.S.EX	
4	3402080106	LOCK LEAF SPRING FOR B.V.S.EX	
5	3402080105	ADJUST CLICKER FOR B.V.S.EX	
6	3402080103	MANUAL BUTTON FRAME FOR B.V.S.EX	
7	3401200056	MANUAL BUTTON SPRING FOR B.V.S.EX	
8	3402080108	MANUAL BUTTON FOR B.V.S.EX	
9	3990100075	SCREW M2x5 (SUS304)	
10	3401200057	AUTO SPRING FOR B.V.S.EX	
11	3402080104	VALVE SEAT FOR B.V.S.EX	
12	3403070000	VALVE FOR B.V.S.EX	
13	3401100006	VALVE HOLD FOR B.V.S.EX	
14	3402080101	SPIDER FOR B.V.S.EX	
15	3103055002	EXHAUST VALVE 2ND STAGE	
16	3402080109	BASE COVER FOR B.V.S. EX	
17	3402470000	DRY VALVE SLIP RING FOR B.V.S.INLET/EX	
18	3402080100	RETAINER FOR B.V.S.INLET/EX	
101	3404680003	DECAL FOR B.V.S. INLET/EX	