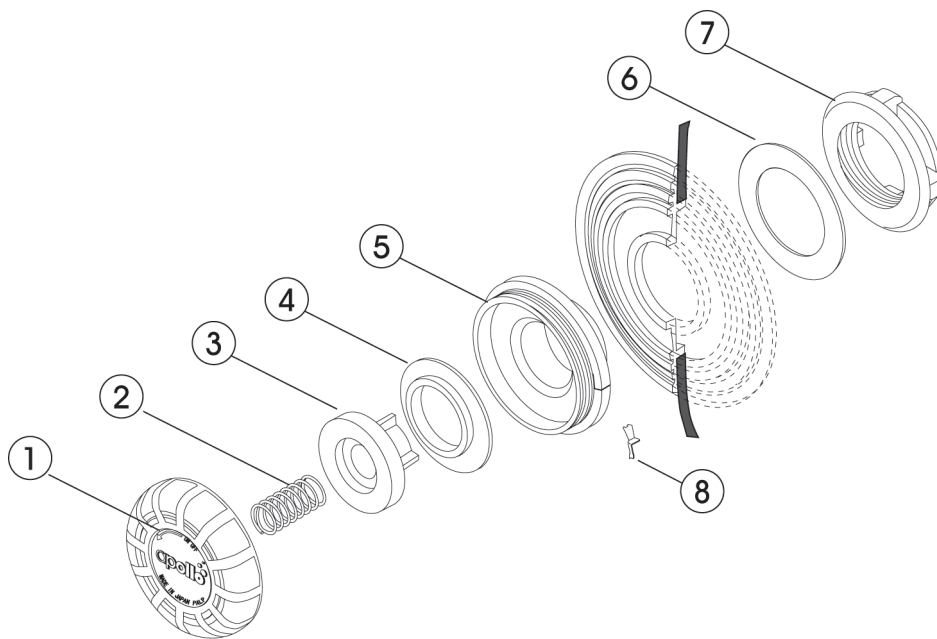


# Foot Exhaust Valve



No.	Code	Description	Note
	240000020	FOOT EXHAUST VALVE	OUT OF PRODUCTION
1	3402080056	●COVER FOR DRY SUIT VALVE	OUT OF PRODUCTION
2	3401200044	SPRING FOR FOOT VALVE	
3	3402080052	VALVE RETAINER	
4	3403070001	VALVE SEAT	
5	3402080055	BASE FOR FOOT VALVE	
6	3402470002	SPRING	
7	3402080053	BACK CAP	
8	3401200045	●COVER LOCK SPRING FOOT VALVE	OUT OF PRODUCTION