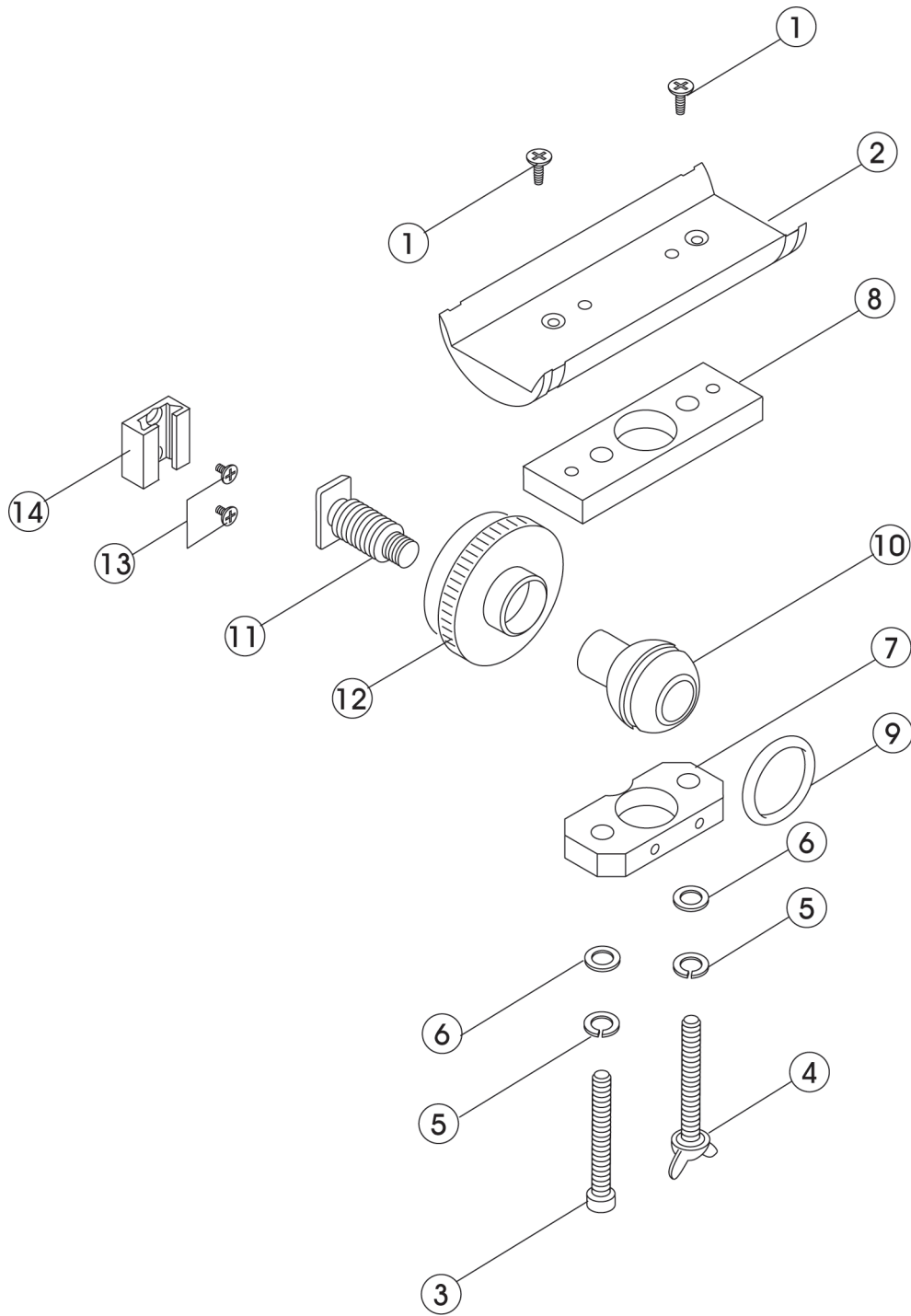


Technical Mount



No.	Code	Description	Note
	2920380000	●change to 2920380001 ATTACHMENT FOR BIO METAL MASK PRO LIGHT	OUT OF PRODUCTION
1	3990100078	COUNTERSUNK SCREW M2.6X7 (SUS)	
2	3780100003	HINGE PIN, THREADED	
3	3990100149	CAP SCREW M4X25 (SUS)	
4	3990100077	WING NUT M4X25 SUS 304	
5	3990500012	O120-77 WASHER/SPRING PBSP M4	
6	3990100011	WASHER M4 SUS304 4.3X8	
7	3780100000	LOCK PLATE AL	
8	3780100001	SHAFT, SWITCH	
9	3993094009	O-RING P-11/HS90	
10	3790100000	BALL C3604B NICR	
11	3790100002	DOVETAIL PLATE C3604B NICR	
12	3790100001	CLAMP RING FOR MASK LIGHT	
13	3990100097	SCREW SUS304 M2.6X5	
14	3780100002	DOVETAIL SADDLE AL	