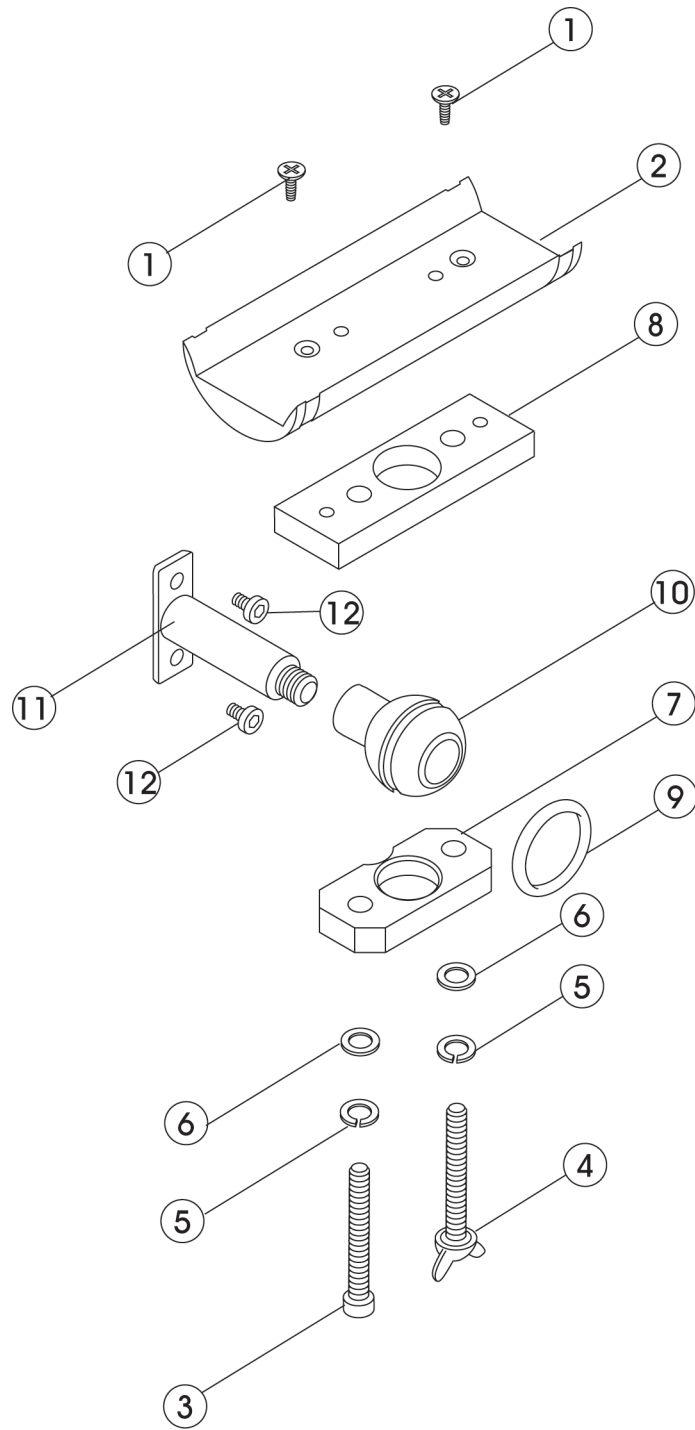


Technical Mount 2



No.	Code	Description	Note
	2920380001	ATTACHMENT2 FOR BIO METAL MASK PRO LIGHT	
1	3990100078	COUNTERSUNK SCREW M2.6X7 (SUS)	
2	3780100003	HINGE PIN, THRADED	
3	3990100149	CAP SCREW M4X25 (SUS)	
4	3990100077	WING NUT M4X25 SUS 304	
5	3990500012	0120-77 WASHER/SPRING PBSP M4	
6	3990100011	WASHER M4 SUS304 4.3X8	
7	3780100000	LOCK PLATE AL	
8	3780100001	SHAFT, SWITCH	
9	3993094009	O-RING P-11/HS90	
10	3790100000	BALL C3604B NICR	
11	3700100003	MOUNTING BASE	
12	3990100175	CAP SCREW SUS M2.6X5	