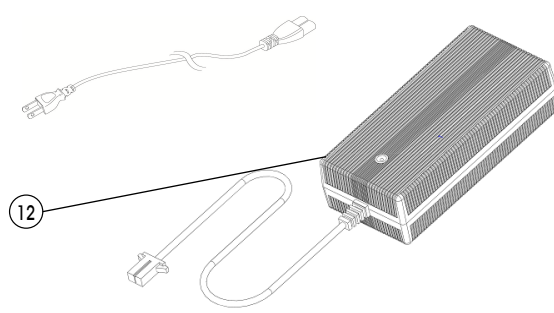
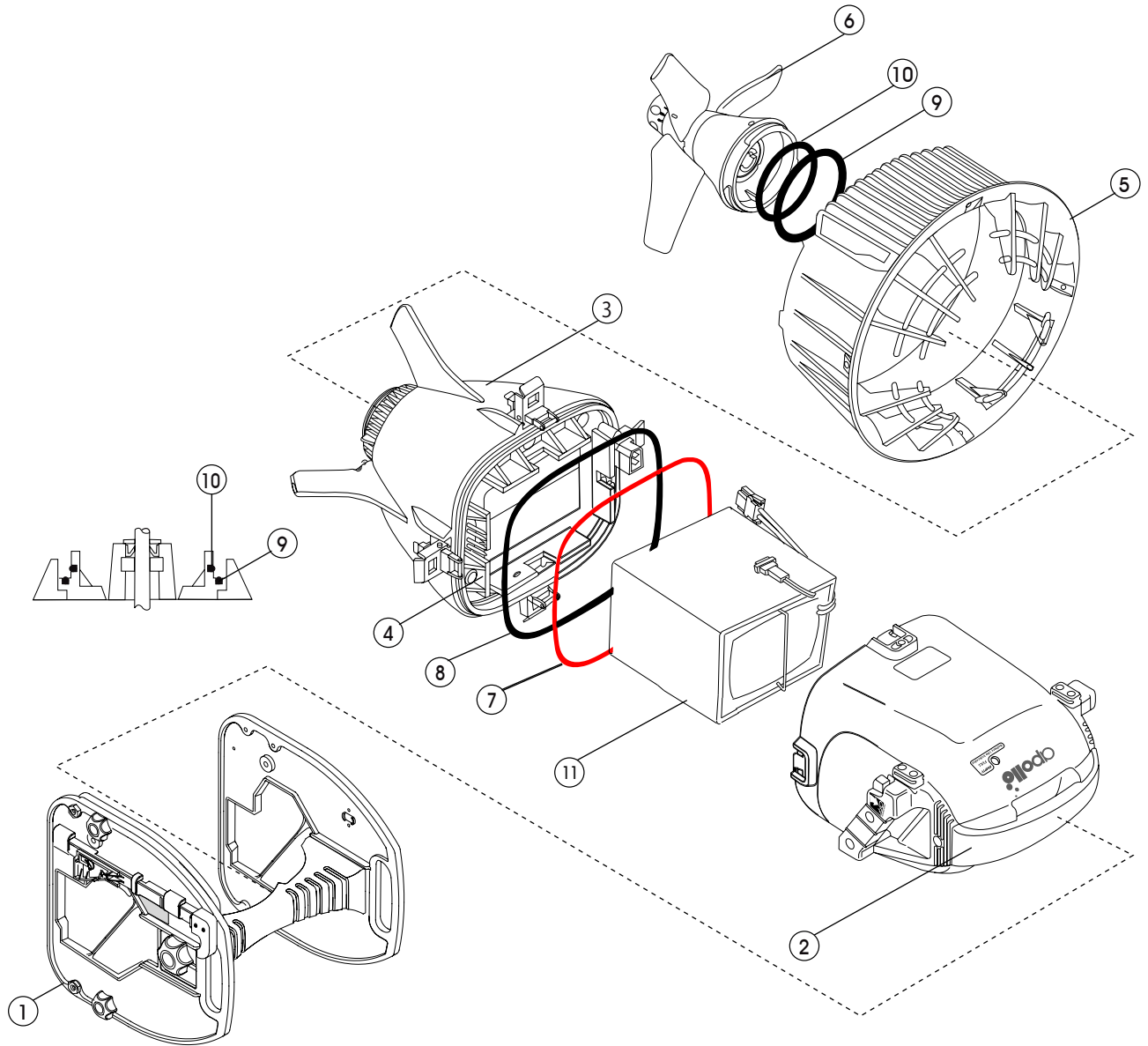
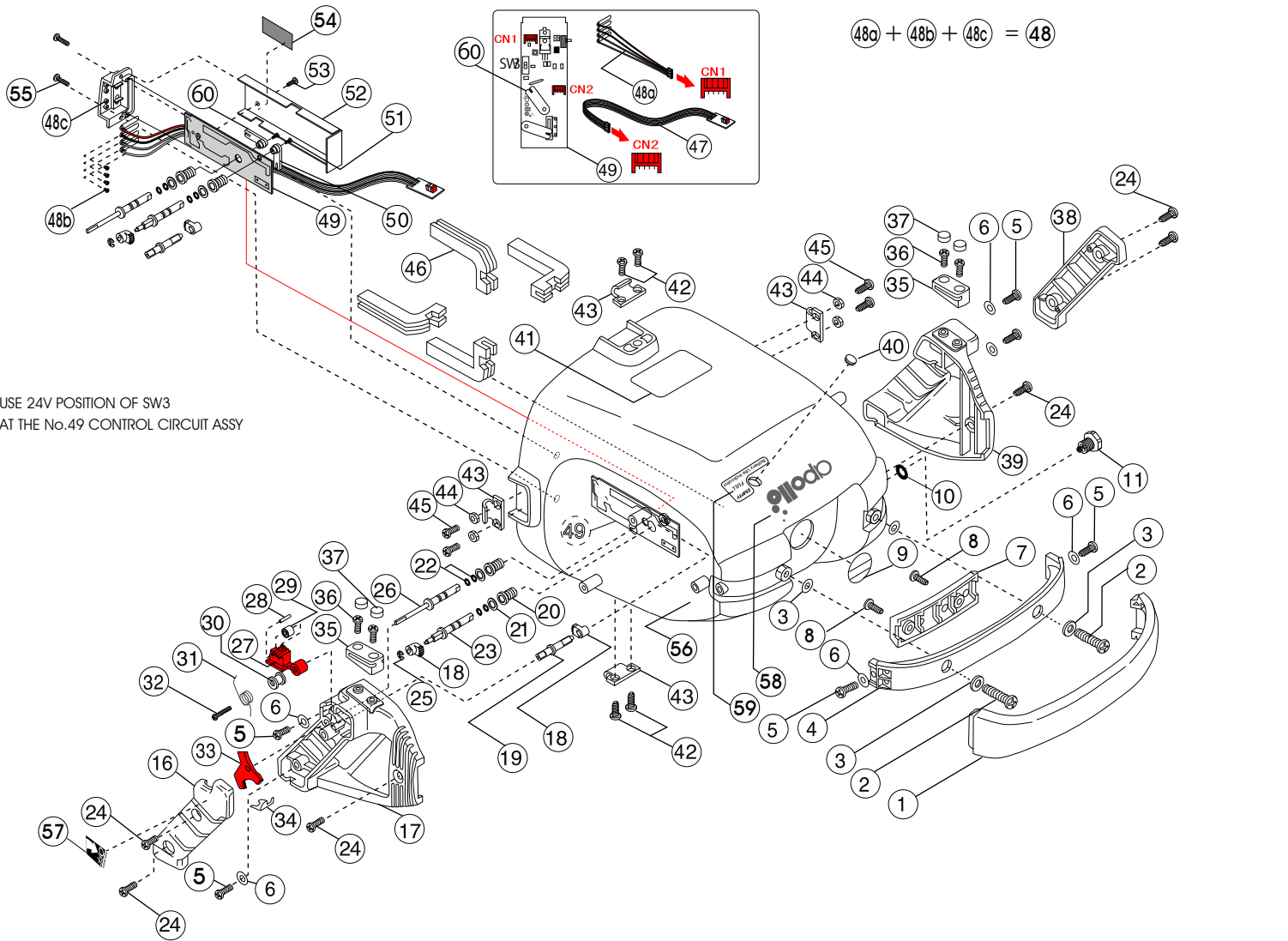


av-2 Evolution



No.	Code	Description
1	1952080010	SADDLE ASSEMBLY
2	2952080011	HEAD ASSY FOR AV-2 BK
3	2952080014	BODY ASSY FOR AV-2E
4	2952080203	BULKHEAD ASSY FOR AV-2 VR2
5	3952080040	PROPELLER COVER (BK)
6	2952080101	PROPELLER ASSY FOR AV-2
7	3993000177	O-RING BODY ORANGE
8	3993000270	O-RING BODY BLACK
9	3993000239	PROPELLER AXIS O-RING (LARGE)
10	3993000236	PROPELLER AXIS O-RING (SMALL)
11	1958100080	Li-ion BATTERY FOR AV-2
12	1958100013	CHARGER FOR AV-2 Li-ion BATTERY

av-2 / av-2 Evolution Head Assy



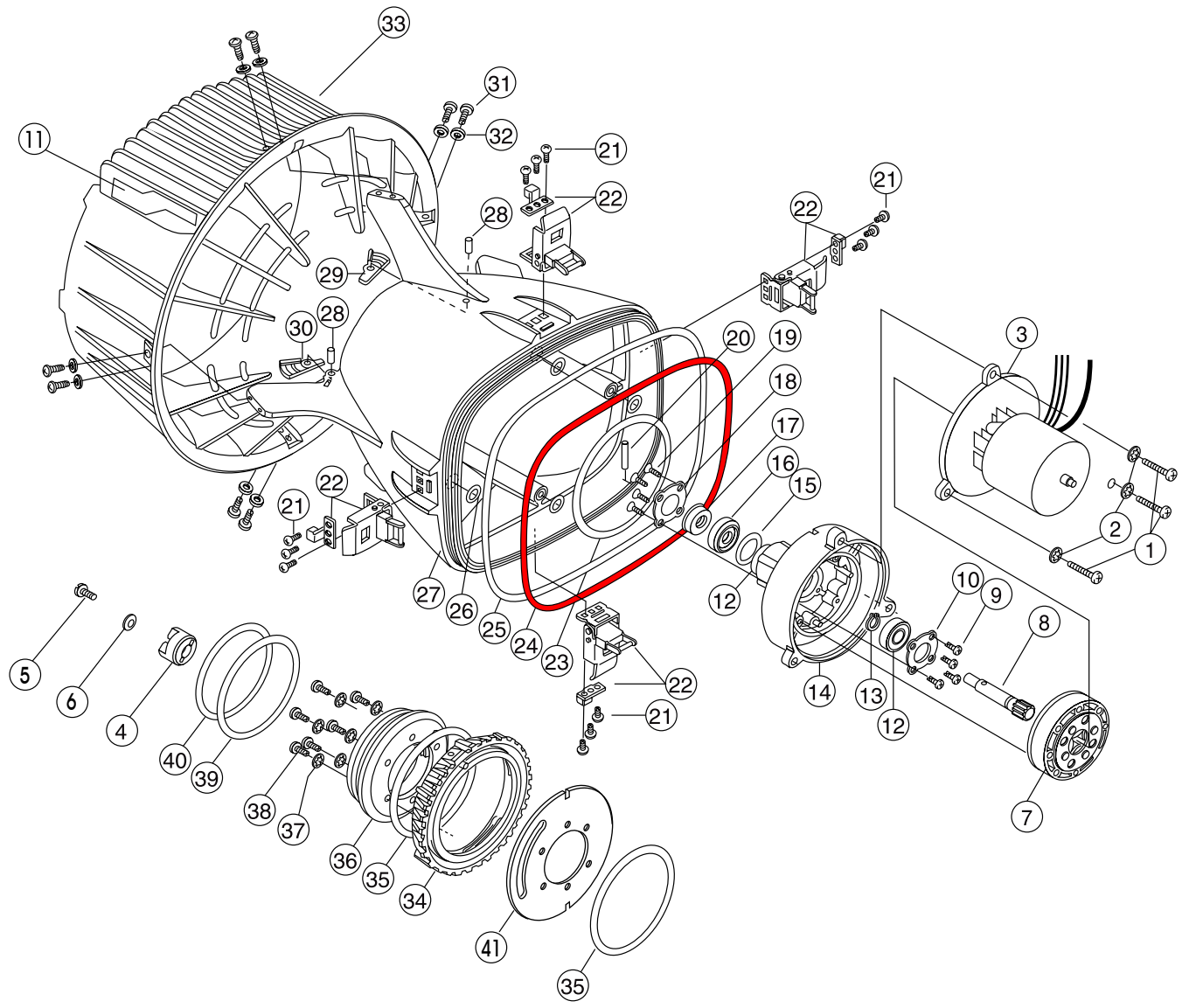
USE 24V POSITION OF SW3
AT THE No.49 CONTROL CIRCUIT ASSY

No.	Code	Description
	2952080011	HEAD ASSY FOR AV-2 BK
1	3953080000	BUMPER
2	3990100507	O130-65 SCREW (SUS304 M5X30)
3	3990100012	WASHER M5 SUS FOR SADDLE
4	3952080032	CARRYING HANDLE
5	3990100504	SCREW M4X16X7 TP
6	3990100011	WASHER M4 SUS304 4.3X8
7	3952080033	CARRYING HANDLE COVER
8	3990100030	SCREW SUS304 M4X12
9	3952280008	NUMBER SEAL
10	3993390508	O-RING S-8/HS50
11	2959900010	RELIEF VALVE ASSY FOR AV-2/AVX
16	3952080025	COVER GRIP RIGHT (ABS)
17	3952080103	GRIP RIGHT (ABS) FOR AV-2
18	3952080107	TRIGGER GEAR (POM)
19	3950100007	AXIS FOR ACCELERATOR (C3601 NI-CR)
20	3950100005	COLLAR FOR SWITCH AXIS (C3601B NI-CR)
21	3952400000	TEFLON WASHER
22	3993090003	O-RING NBR (P-3/HS50)
23	3950100006	SPEED CONTROL AXIS (C3601B NI-CR)
24	3990100091	SCREW M4X16X7 TP FOR AV-2
25	3990100095	E-RING (M3.7 T=1.8)
26	3950100008	MAIN AXIS FOR SWITCH(C3601B NI-CR)
27	3952080105	ACCELERATOR LEVER FOR AV-2
28	3990100094	PIN FOR AV-2
29	3952080110	ROLLER FOR ACCELERATOR (POM WT)
30	3950004006	SW SPRING SLEEVE
31	3951200032	SWITCH SPRING FOR AV-2

No.	Code	Description
32	3990100087	SCREW (M2.6X14) FOR AV-2
33	3952080106	MAIN SWITCH (POM GF20 RED)
34	3951104014	LOCKING LEVER SPRING
35	3952080030	ACCESSORY SHOE (PBT)
36	3990100501	O130-82 SCREW RETAINER PLT (M3X12 TP)
37	3952080031	SCREW COVER
38	3952080023	COVER GRIP LEFT (ABS)
39	3952080010	GRIP LEFT (ABS)
40	3952400001	INDICATOR WINDOW (ACRYL)
41	3952280022	CAUTION LABEL FOR EMERGENCY FLOAT
42	3990100503	TRUSS SCREW (SUS 304 M3.5X8)
43	3951100103	CLAMP HOOK
44	3990100605	CORRUGATED SPACER
45	3990100601	SCREW SUS304 M3.5X10
46	3953080001	BATTERY HOLDER (AVD063)
47	3958000038	INDICATOR ASSY (LED CIRCUIT)
48	2958000039	CONNECTING WIRE ASSY FOR AV-2 CIRCUIT
49	2958000124	CONTROL CIRCUIT ASSY
50	3952080108	SWITCH ARM (POM)
51	3990100088	SCREW M3X6 SUS304 FOR AV-2
52	3951100201	WATERPROOF & RADIATION COVER (AL)
53	3990100089	SCREW M3X6 SUS304 FOR AV-2E (AL)
54	3954600002	BATTERY SWITCH LABEL
55	3990100602	TAPPING SCREW M3.5X12SUS
56	3952080100	FRONT COVER (BK) FOR AV-2(ABS WITH HOLE)
57	3954600027	BATTERY SWITCH LABEL LI-ION/LEAD ACID NI-MH
58	3952280006	STICKER
59	3954600005	BATTERY VOLUME LABEL FOR AV-2
60	3951900015	SWITCH MAGNET ASSY

av-2 E Body Assy

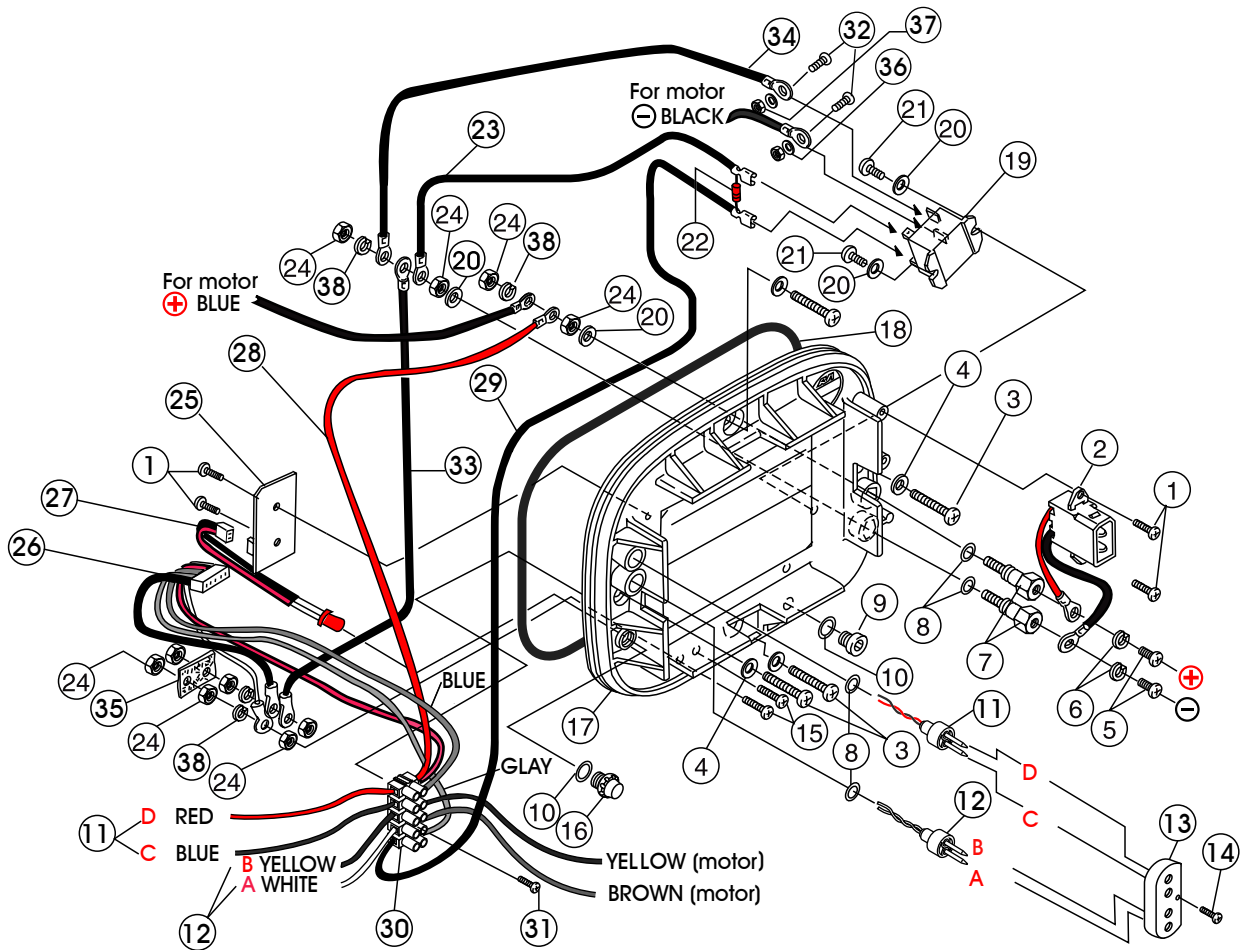
※ Parts #20 3990100093 is used in serial number after 201038
 ※ Parts #20 3990100250 is used in serial number before 201037



No.	Code	Description	No.	Code	Description
	2952080014	BODY ASSY FOR AV-2E	21	3990100601	SCREW SUS304 M3.5X10
1	3990100068	SCREW BK M4X15 FOR AV-2 MOTOR	22	3951100101	CLAMP BODY
2	3990100021	WASHER SUS304 M4		3951100102	CLAMP LOCK
3	2950900004	MOTOR ASSY FOR AV-2E (TD5039-244)	23	3993000152	O-RING FOR GEAR CASE HOUSING
4	3950100004	JOINT FOR PROPELLER SHAFT (C3604NI)	24	3993000177	O-RING BODY ORANGE
5	3950004008	CLUTCH RETAINER SCREW (SUS304)	25	3993000270	O-RING BODY BLACK
6	3990100012	WASHER M5 SUS FOR SADDLE	26	3993080009	O-RING AS568-010
7	3995090001	GEAR ASSY FOR MOTOR	27	3952080039	BODY HOUSING (BK)
8	3950000005	CLUTCH AXLE MOTOR ASSY	28	3990100080	CLAMP LOCK PIN(SUS304 3MX8)
9	3990100067	SCREW RETAINER PLATE BK M3 X 8	29	3952080006	CLAMP RING L(ABS AVD027)
10	3951100001	BEARING RETAINER (SUS304 AVC015)	30	3952080005	CLAMP RING R(ABS AVD027)
11	3954600021	PROPELLER COVER LABEL	31	3990100504	SCREW M4X16X7 TP
12	3990200001	BEARING 6000HZ 26OD (NSK)(GRADE 0)	32	3990100011	WASHER M4 SUS304 4.3X8
13	3990100022	RETAINING RING C CLIP CLUTCH	33	3952080040	PROPELLER COVER (BK)
14	3952080011	GEAR CASE FOR AV-2E (AL DM55)	34	3952080003	CLAMP RING (PBT G30 AVC119)
15	3993000120	O-RING SEAL(AS568-120 HS-50)	35	3993000152	O-RING FOR GEAR CASE HOUSING
16	3953000000	SEAL HOLDER/(C3604 AVC013)	36	3952080012	GEAR CASE RETAINER
17	3993900001	0513-24 ROTATION SEAL L	37	3990100021	WASHER SUS304 M4
18	3951100005	SEAL RETAINER(B)(SUS304AVC-012B)	38	3990100069	SCREW SUS M4X14 FOR GEAR CASE RETNR
19	3990100066	SCREW SUS M3X8	39	3993000239	PROPELLER AXIS O-RING (LARGE)
20	3990100093	PIN (3X16)	40	3993000236	PROPELLER AXIS O-RING (SMALL)
	3990100250	PIN (SUS301 M3XL25)	41	3952080300	RADIATION PLATE

av-2 Evolution bulkhead Assy

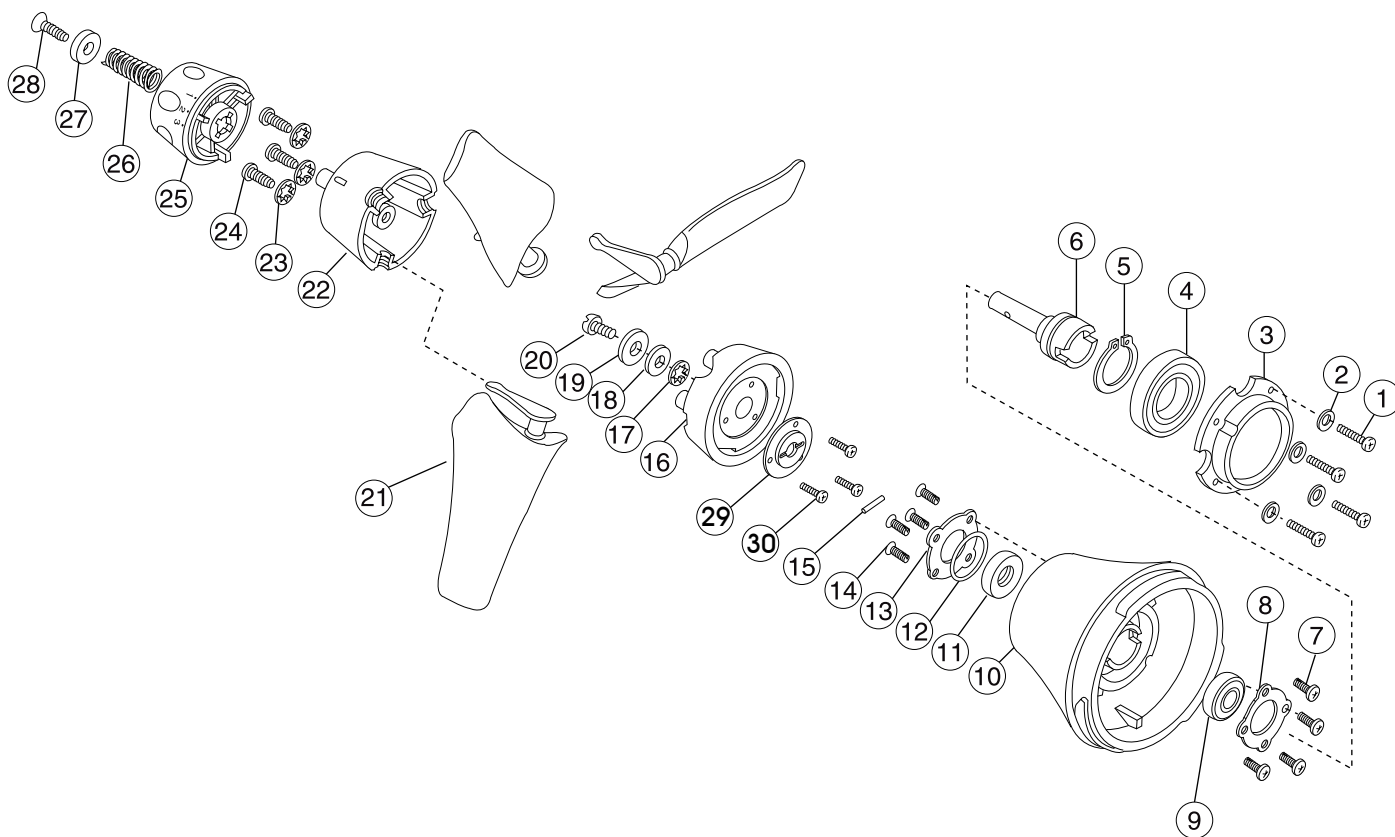
serial No. after 202439



No.	Code	Description
1	3990100100	SCREW(SUS304 M3X10) FOR AV-2 SCOOTER
2	2958000023	AV-2 BATTERY PLUG ASSY
3	3990100507	0130-65 SCREW(SUS304 M5X30)
4	3990100012	WASHER M5 SUS304 5.3X10 FOR AV-2
5	3990100508	0130-78 SCREW(SUS304 M4 X 6 X 7
6	3990500012	SPRING WASHER M4 (PBSP M4)
7	3950004005	BATTERY TERMINAL SHAFT(C3604 AVD112)AV-2
8	3993080008	TERMINAL O-RING (AS 568-008) FOR AV-2
9	3100101101	PLUG(A) :3/8 FOR L.P
10	3993592011	O-RING ARP-011/HS75 (REGULATOR & B.C)
11	2958000026	CONNECT HOLDER ASSY A (RD & BL)
12	2958000027	CONNECT HOLDER ASSY B (YL & WT)
13	3952080112	CONNECT RETAINER (ABS BK)
14	3990100208	SCREW
15	3990100505	SCREW(SUS304 M4X22) FOR AV-2
16	3952015030	SENSOR LAMP COVER FOR AV-2 SCOOTER (PC RD)
17	3952080301	BULKHEAD PLATE FOR AV-2 (PC GF10)
18	3993000210	O-RING BODY HOUSING FOR AV-2
19	3998000013	POWER RELAY PLUG ASSY FOR AV-2 SCOOTER (DF12D1-F(M))

No.	Code	Description
20	3990100011	WASHER M4 SUS304 4.3X8 FOR AV-2 SCOOTER
21	3990100030	SCREW(SUS304 M4 X 12) FOR AV-2
22	3998000150	DIODE FOR AV-2 SCOOTER
23	2958000003	POWER RELAY TERMINAL ASSY(AWG24 BK L120)
24	3990100510	0150-53 NUT/HEX BS M4P-0.7
25	2958000112	WATER LEAK SENSOR ASSY FOR AV-2/AVX
26	3958000120	SENSOR CONNECTOR ASSY
27	2958000103	LED ASSY FOR WARNING TERMINAL
28	3958000037	WIRE ASSY FOR AV-2 (AWG22 RD L=320)
29	2958000002	POWER RELAY SOCKET ASSY FOR AV-2 (AWG22 BK L=230)
30	3952085104	TERMINAL BASE (TLB-100W 5P)
31	3990100500	0130-69 SW SCREW (M2.6X15X4.6 TP)
32	3990104061	0130-59 SCREW BS M3 X 6
33	3958000125	WIRE 16-D (AWG22)
34	2958080001	TERMINAL POWER RELAY ASSY FOR AV-2 (AWG12 BK L=120)
35	3992280011	NYLON WEB FOR AV-1 WATER LEAK SENSOR
36	3990500011	0120-78 WASHER/SPRING PBSP M3
37	3990104701	0150-52 NUT/HEX BS M3 NICKEL
38	3990500012	SPRING WASHER M4 (PBSP M4)

av-2 / av-2Evolution / av-2Classic / SVX propeller Assy



No.	Code	Description
	2952080101	PROPELLER ASSY FOR AV-2
1	3990100521	0130-73 SCREW (SUS304 TP M3X1.6TP)
2	3990100010	WASHER M3 SUS304 3.2X6
3	3952080041	BEARING HOUSING
4	3990200003	BEARING SS6005Z SEA 47OD (NSK)(GRADE 0)
5	3990100057	0240-14 C-RING SUS304 STW-25
6	3950000002	PROPELLER SHAFT SUS304 SEA
7	3990100501	0130-82 SCREW RETAINER PLT (M3X1.2 TP)
8	3951100001	BEARING RETAINER (SUS304 AVC015)
9	3990200002	BEARING SUS304 6000ZZ SEA (GRADE 0)
10	3952080004	CASING PROPELLER SHAFT
11	3993600000	0513-23 SEAL FA FAJ1 10X25X7
12	3993592022	O-RING ARP-022/HS75
13	3951100005	SEAL RETAINER(B)(SUS304AVC-012B)
14	3990100502	SCREW SUS304 M3X1.0 TP
15	3990100093	PIN (3X16)

No.	Code	Description
16	3952080101	PROPELLER BASE FOR AV-2
17	3990100028	WASHER CORRUGATED SUS304 M5
18	3990100027	BELLEVILLE SPRING
19	3951100009	PROPELLER BASE WASHER M5(SUS304)
20	3950004012	CLUTCH RETAINER SCREW(SUS304 M5X1.2) AV-2
21	3952080026	PROPELLER BLADE ASSY
22	3952080036	PROPELLER CASING RETAINER
23	3990100021	WASHER SUS304 M4
24	3990100504	SCREW M4X1.6X7 TP
25	3952080037	PITCH KNOB (PBT)
26	3951200003	SPRING KNOB SUS304
27	3950004009	KNOB SCREW WASHER (C3601BA)
28	3990100512	0130-76 SCREW (SUS304 M5X2.0X1.0)
29	3950100003	RETAINER FOR PROPELLER BASE (C3601B)
30	3990100030	SCREW SUS304 M4X1.2

av-2 / av-2E / av-2C Battery plug & socket Assy

av-2 BATTERY PLUG ASSY

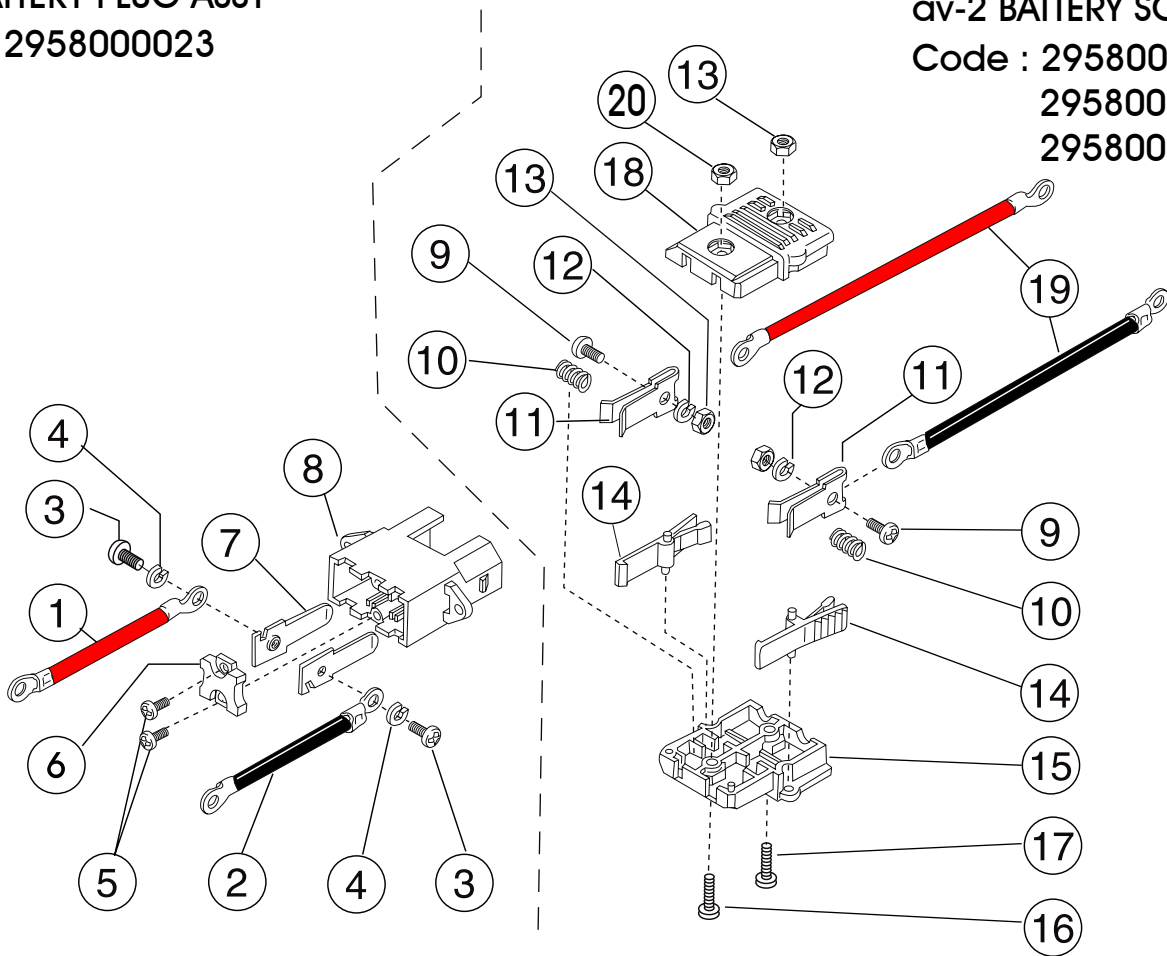
Code : 2958000023

av-2 BATTERY SOCKET ASSY

Code : 2958000020 10A

2958000029 13A

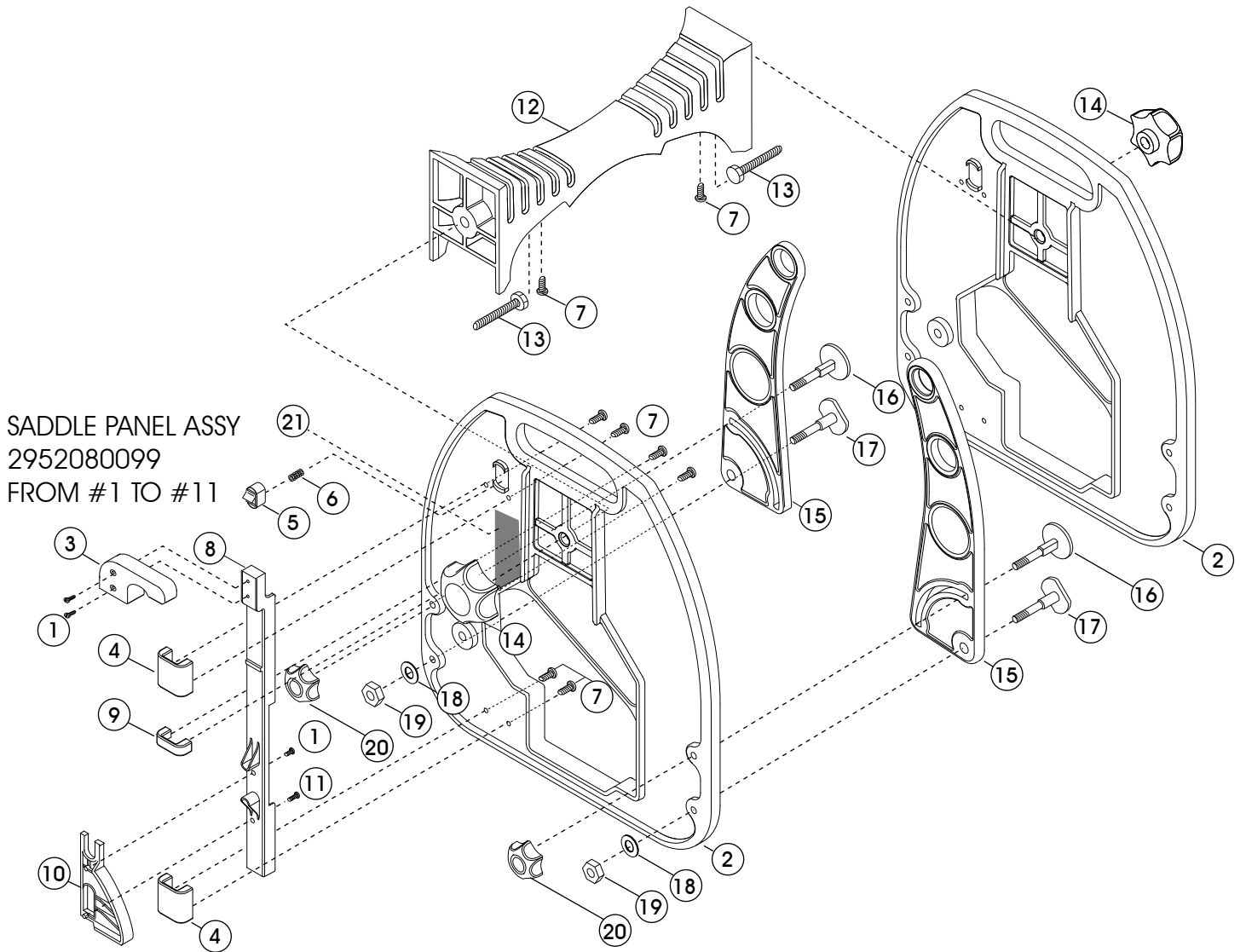
2958000035 NiMH



No.	Code	Description
1~8	2958000023	BATTERY PLUG ASSY FOR AV-2 BULKHEAD
1	3958000065	WIRE/LEAD AWG12 RED
2	3958000080	WIRE/LEAD AWG12 BLCK
3	3990104057	0130-57 SCREW BS (M3.5X5)
4	3990500012	0120-77 WASHER/SPRING PBSP M4
5	3990100100	SCREW (SUS304 M3X10)
6	3952085015	RETAINER/PLUG POLY
7	3951104012	0360-35 TERMINAL PLATE/PLUG
8	3952085105	PLUG HOUSING FOR AV-2 BULKHEAD

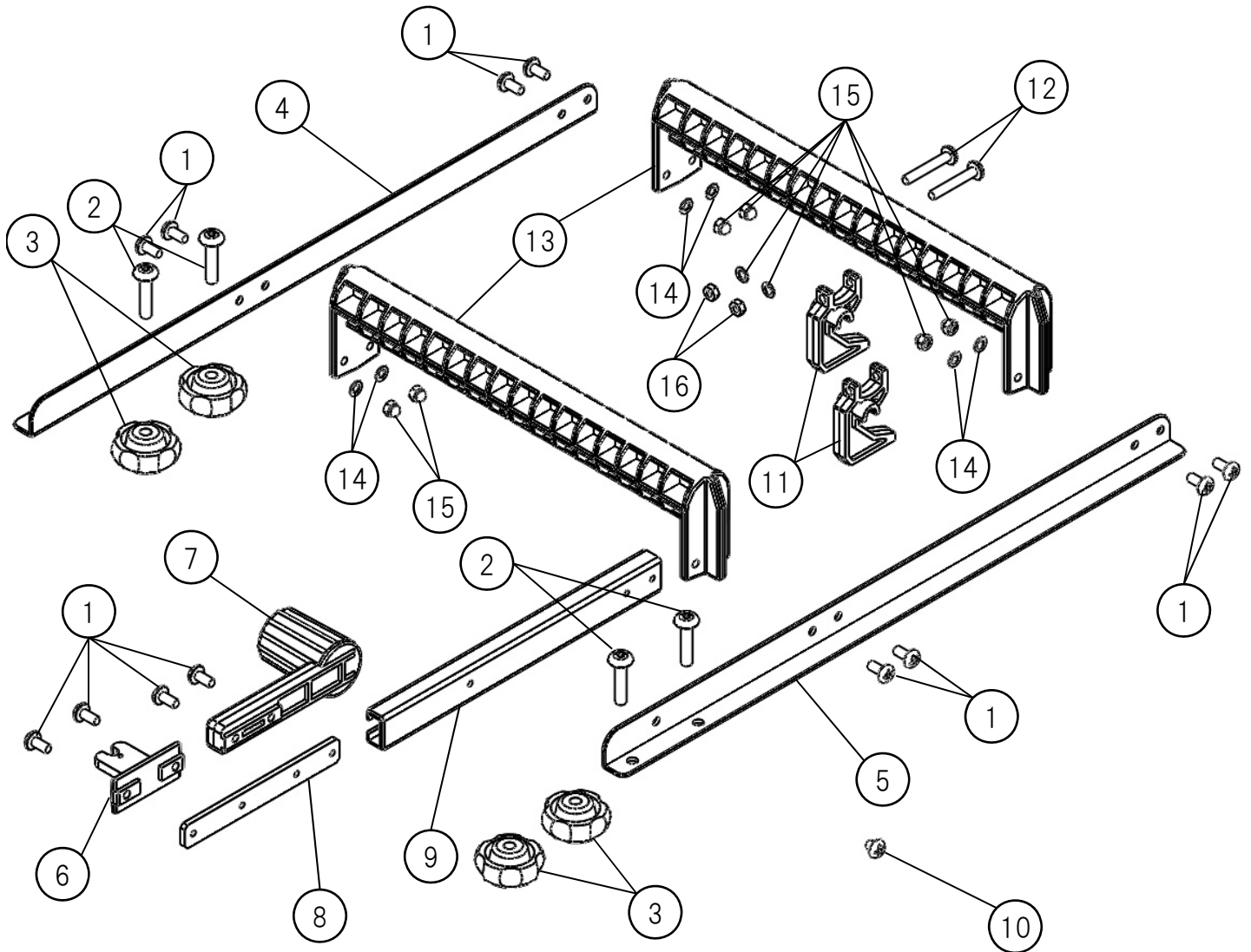
No.	Code	Description
9~20	2958000020	AV-2 BATTERY SOCKET ASSY FOR 10A SLA
9~20	2958000029	AV-2 BATTERY SOCKET ASSY FOR 13A SLA
9	3990104061	0130-59 SCREW BS (M3X6)
10	3951200020	CONNECTOR SPRING(SUS304)
11	3951104011	0360-36 SOCKET C2801 NICKEL
12	3990500011	4120-78 WASHER/SPRING PBSP M3
13	3990104701	0150-52 NUT/HEX BS M3 NICKEL
14	3952085013	HOOK LEVER
15	3952085108	SOCKET HOUSING B FOR AV-2
16	3992900012	PAN HEAD SCREW M3L8 RENV
17	3990100137	PAN HEAD SCREW M3X12
18	3952085107	SOCKET HOUSING A FOR AV-2
19	3958000035	LEAD WIRE (RED/BK) FOR 10A BATTERY
	3958000040	SOCKET WIRE (RED/BK) FOR 13A BATTERY
	3958000041	TERMINAL WIRE RED FOR 13A SLA BATTERY
20	3992900011	HEX NUT M3 RENV

Scooter saddle after '05



No.	Code	Description	No.	Code	Description
1	3990100100	SCREW (SUS304 M3X10)	13	3990100005	BOLT/SADDLE M8X40 SUS
2	3952086021	PANEL FOR AV-2 SADDLE (ABS)	14	3952086006	MOUNT KNOB WITH NUT M8 SUS
3	3952086017	GRIP FOR SADDLE LEVER	15	3952086011	WING ABS
4	3952086005	COVER FOR SADDLE LEVER (ABS)	16	3952086008	WING ADJUST AXIS
5	3952086016	RATCHET (POM)	17	3952086009	WING CENTER AXIS ABS
6	3951200013	RATCHET SPRING	18	3990100012	WASHER M5 SUS FOR SADDLE
7	3990100602	TAPPING SCREW M3.5X12SUS	19	3990100750	U NUT M5 SUS304 FOR SADDLE
8	3952086013	SWITCH BAR (ABS)	20	3952086007	KNOB/ADJUSTAXIS WITH NUT M5
9	3952086015	HOLDER FOR SWITCH LEVER ABS FOR SADDLE	21	3954600006	LABEL FOR SPEED CONTROL
10	3952086018	SWITCH CAM (POM) FOR SADDLE			
11	3990100501	O1.30-82 SCREW RETAINER PLT (M3X12 TP)	1~11	2952080099	SADDLE PANEL ASSEMBLY
12	3952086002	SADDLE ABS			

SINGLE HAND UNIT av-2



No.	CODE	DESCRIPTION
1	3990100115	SCREW M4X10 FOR STRAP HOLDER
2	3990100416	TRUSS SCREW (M5X25 SUS)
3	3952086007	KNOB/ADJUSTAXIS WITH NUT M5
4	3950500002	MAIN BAR RIGHT 15X20
5	3950500001	MAIN BAR LEFT 15X20
6	3952080203	SWITCH JOINT POM BK
7	3952080113	SWITCH KNOB FOR AVX
8	3950500013	SWITCH JOINT (15X155 AL)
9	3950500015	SLIDER BAR
10	3990100410	TRUSS SCREW (M4X5 SUS)
11	3952080210	CENTER RIB HOOK
12	3990100452	TRUSS SCREW (M4X30 SUS)
13	3952080114	HANDLE BAR FR BK FOR AVX
14	3990100011	WASHER M4 SUS304 4.3X8
15	3990100098	NUT SUS M4
16	3990100520	O150-54 NUT/HEX M4 MOTOR ASSY